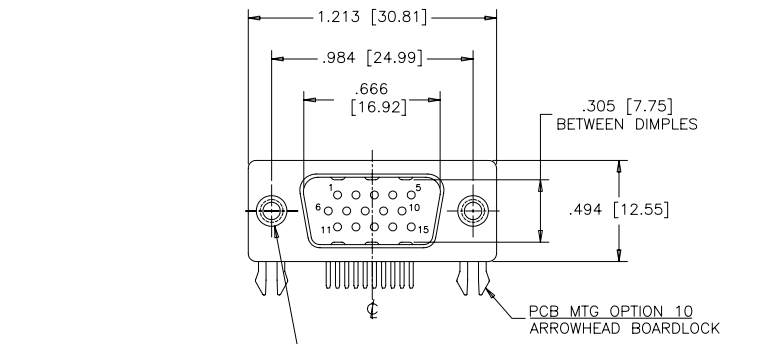
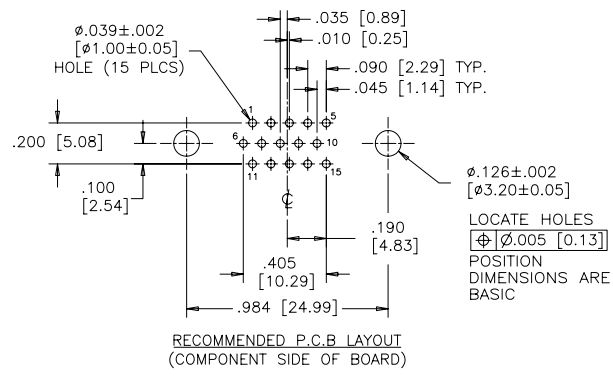
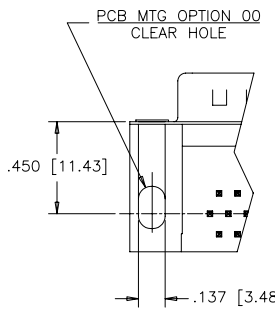
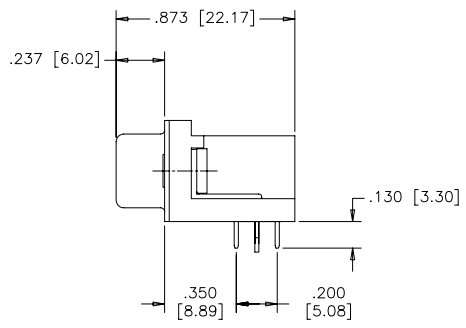
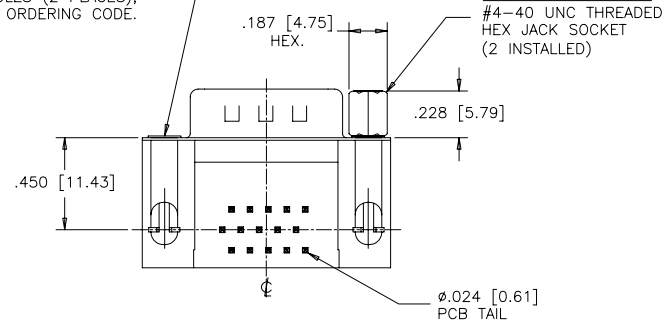


REVISIONS			
REV	ECN, ERN NO.	DATE	APPRD.
B	PRODUCT DRAWING (EAR 12992)	DEC12/06	K.L.



PANEL MTG OPTIONS 0 OR 1
 .120 [3.05] DIA. OR #4-40
 THROUGH HOLES (2 PLACES),
 SEE ORDERING CODE.

PANEL MTG OPTION 2
 #4-40 UNC THREADED
 HEX JACK SOCKET
 (2 INSTALLED)



RECOMMENDED P.C.B LAYOUT
 (COMPONENT SIDE OF BOARD)

LOCATE HOLES
 Ø.126±.002 [Ø3.20±0.05]
 Ø.005 [0.13]
 POSITION
 DIMENSIONS ARE
 BASIC

ORDERING CODE:

PART NUMBER: 1 7 E B H - 0 1 5 P A M - 2 1 0

SERIES _____
 NUMBER OF CONTACTS _____
 STYLE _____
 CONTACT PLATING OPTIONS _____
 FOR ENGAGEMENT AREA
 AA= 3µ" [0.08 MICRONS] GOLD FLASH
 CH= 15µ" [0.38 MICRONS] GOLD
 AM= 30µ" [0.76 MICRONS] GOLD

PCB MOUNTING OPTIONS
 00= CLEAR HOLE
 10= ARROWHEAD BOARDLOCK
 PANEL MOUNTING OPTIONS
 0= .120 [3.05] CLEAR HOLE
 1= #4-40 THREADED
 2= #4-40 UNC THREADED
 HEX JACK SOCKETS

SPECIFICATIONS:

MATERIALS: ALL MATERIALS ARE RoHS COMPLIANT.
 SHELLS: STEEL, TIN PLATED.
 INSERTS: HIGH TEMPERATURE RESISTANT NYLON, GLASS REINFORCED, UL FLAMMABILITY RATING 94V-0, COLOUR: BLACK.
 CONTACTS: COPPER ALLOY, GOLD PLATING (SEE ORDERING CODE) OVER 50µ" [1.27 MICRONS] NICKEL ON ENGAGEMENT AREA WITH 100µ" [2.54 MICRONS] MIN. MATTE TIN ON CONTACT TERMINALS.
 BOARDLOCK: COPPER ALLOY, TIN PLATED.

ELECTRICAL DATA:

CURRENT RATING: 3 AMP
 CONTACT RESISTANCE: 15 MILLIOHMS MAX.
 INSULATION RESISTANCE: 5000 MEGOHMS MIN.
 DIELECTRIC WITHSTANDING VOLTAGE: 1000 VAC rms
 OPERATING TEMPERATURE: -55°C TO +105°C

DRAWN	J.LEE	DATE	DEC04/06
DESIGNED			
CHECKED	K.LAMBIE	DATE	DEC04/06
I. E. APPRD.			
Q. A. APPRD.			
DWG. APPRD.			
ENG. REL. NO.			
REF.	EAR 12992		
DIMENSIONS ARE IN	CODE ID. NO.		
INCHES [mm]	03554		

Amphenol Canada Corp.
 TITLE: 17EBH SERIES HIGH DENSITY D-SUB CONNECTOR, 15 SIZE PIN, RIGHT ANGLE PCB CONTACTS, PLATING & MOUNTING OPTIONS, RoHS COMPLIANT

DWG	DRAWING NO.	REV.
C	P-17EBH-015PXX-XX0	B
SCALE	2/1	WT. _____
		SURF. _____
		SHEET 1 OF 1

THIS DOCUMENT CONTAINS PROPRIETARY INFORMATION AND SUCH INFORMATION MAY NOT BE DISCLOSED TO OTHERS FOR ANY PURPOSE OR USED FOR MANUFACTURING PURPOSES WITHOUT WRITTEN PERMISSION FROM AMPHENOL CANADA CORP.