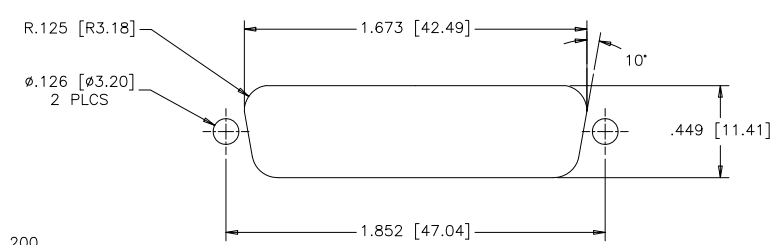
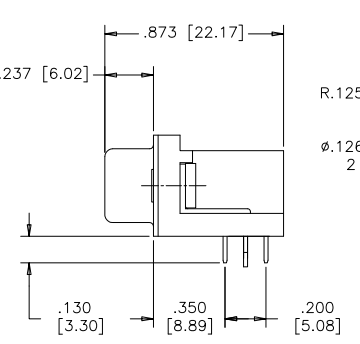
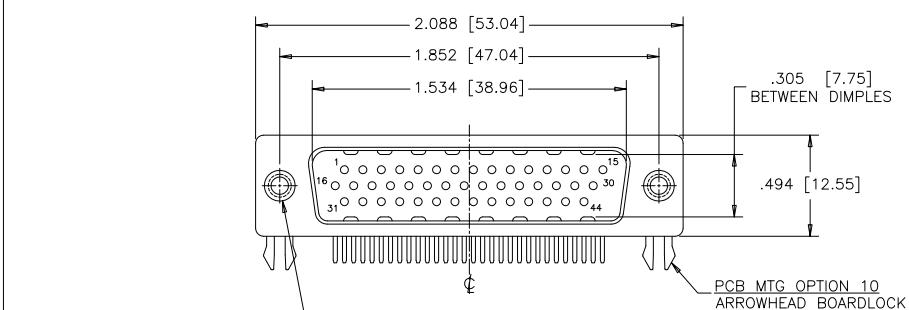


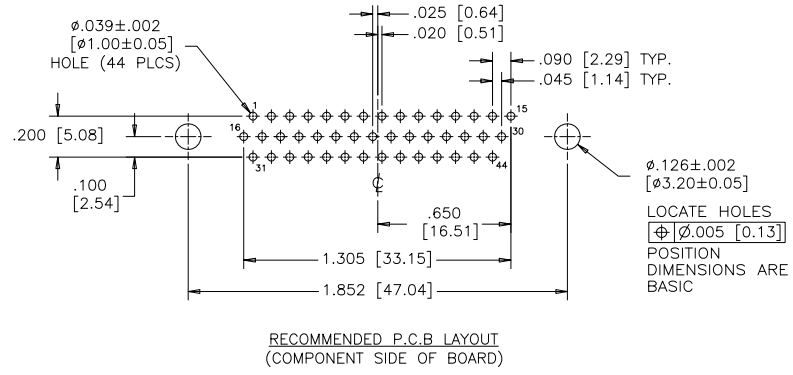
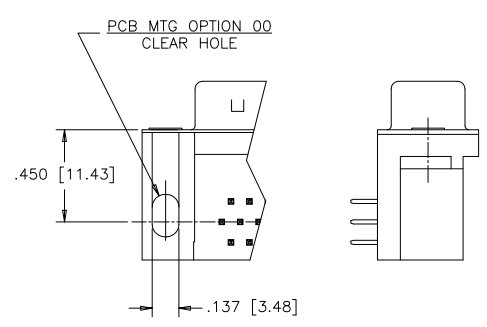
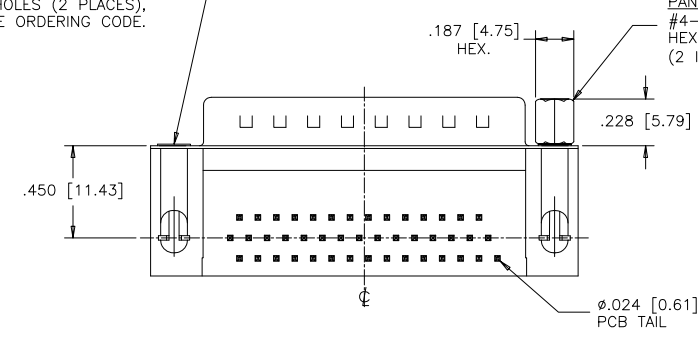
REVISIONS			
REV	ECN, ERN NO.	DATE	APPRD.
B	PRODUCT DRAWING (EAR 14156)	JAN29/13	K.L.



PANEL MTG OPTIONS 0 OR 1  
 .120 [3.05] DIA. OR #4-40  
 THROUGH HOLES (2 PLACES),  
 SEE ORDERING CODE.

PANEL MTG OPTION 2  
 #4-40 UNC THREADED  
 HEX JACK SOCKET  
 (2 INSTALLED)

RECOMMENDED PANEL CUTOUT  
 (REAR MOUNTING)



RECOMMENDED P.C.B LAYOUT  
 (COMPONENT SIDE OF BOARD)

ORDERING CODE:

PART NUMBER: 1 7 E B H - 0 4 4 P A M - 2 1 0

SERIES  
 NUMBER OF CONTACTS 044  
 STYLE P= PIN  
 CONTACT PLATING OPTIONS FOR ENGAGEMENT AREA  
 AA= 3μ" [0.08 MICRONS] GOLD FLASH  
 CH= 15μ" [0.38 MICRONS] GOLD  
 AM= 30μ" [0.76 MICRONS] GOLD

PCB MOUNTING OPTIONS  
 00= CLEAR HOLE  
 10= ARROWHEAD BOARDLOCK  
 PANEL MOUNTING OPTIONS  
 0= .120 [3.05] CLEAR HOLE  
 1= #4-40 THREADED HOLE  
 2= #4-40 UNC THREADED HEX JACK SOCKETS

SPECIFICATIONS:

MATERIALS: ALL MATERIALS ARE RoHS COMPLIANT.  
 SHELLS: STEEL, TIN PLATED.  
 INSERTS: HIGH TEMPERATURE RESISTANT NYLON, GLASS REINFORCED, UL FLAMMABILITY RATING 94V-0, COLOUR: BLACK.  
 CONTACTS: COPPER ALLOY, GOLD PLATING (SEE ORDERING CODE) OVER 50μ" [1.27 MICRONS] NICKEL ON ENGAGEMENT AREA WITH 100μ" [2.54 MICRONS] MIN. MATTE TIN ON CONTACT TERMINALS.  
 BOARDLOCK: COPPER ALLOY, TIN PLATED.

ELECTRICAL DATA:

CURRENT RATING: 3 AMP  
 CONTACT RESISTANCE: 15 MILLIOHMS MAX.  
 INSULATION RESISTANCE: 5000 MEGOHMS MIN.  
 DIELECTRIC WITHSTANDING VOLTAGE: 1000 VAC rms  
 OPERATING TEMPERATURE: -55°C TO +105°C

DRAWN	J.LEE	DATE	DEC12/06
DESIGNED			
CHECKED	K.LAMBIE	DATE	DEC12/06
I. E. APPRD.			
Q. A. APPRD.			
DWG. APPRD.			
ENG. REL. NO.			
REF.	EAR 12992		
DIMENSIONS ARE IN	CODE ID. NO.		
INCHES [mm]	03554		

Amphenol Canada Corp.  
 TITLE: 17EBH SERIES HIGH DENSITY D-SUB CONNECTOR, 44 SIZE PIN, RIGHT ANGLE PCB CONTACTS, PLATING & MOUNTING OPTIONS, RoHS COMPLIANT

THIS DOCUMENT CONTAINS PROPRIETARY INFORMATION AND SUCH INFORMATION MAY NOT BE DISCLOSED TO OTHERS FOR ANY PURPOSE OR USED FOR MANUFACTURING PURPOSES WITHOUT WRITTEN PERMISSION FROM AMPHENOL CANADA CORP.

DWG	DRAWING NO.	REV.
C	P-17EBH-044PXX-XX0	B
DIMENSIONS ARE IN	SCALE	WT.
INCHES [mm]	2/1	
CODE ID. NO.	SURF.	SHEET
03554		1 OF 1