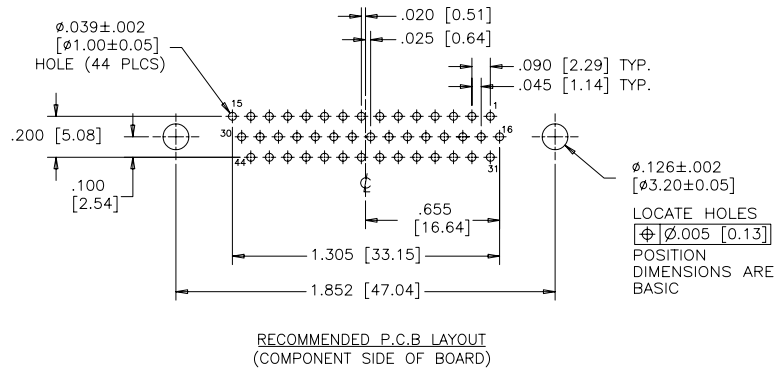
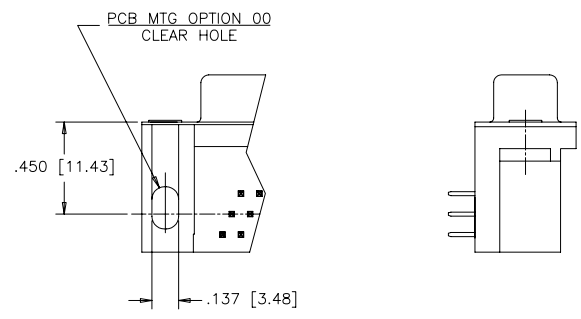
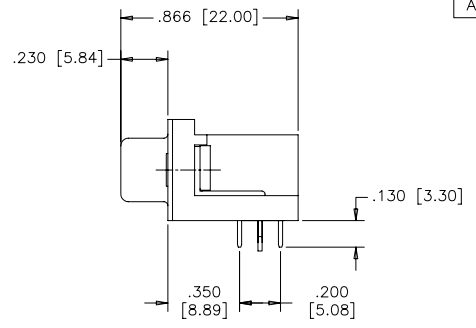
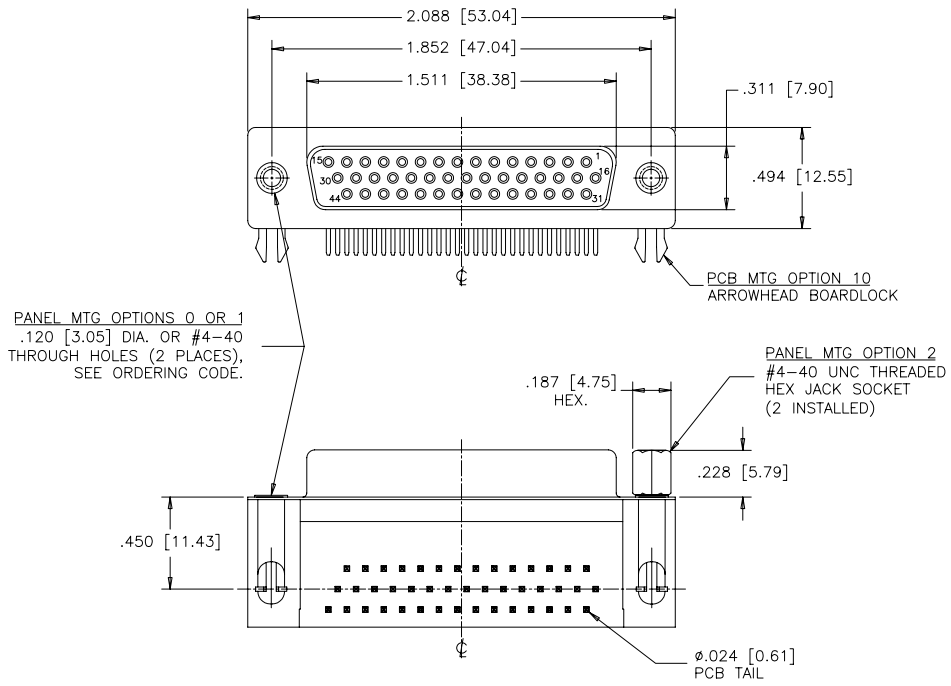


REVISIONS			
REV	ECN, ERN NO.	DATE	APPRD.
A	PRODUCT DRAWING (EAR 12992)	DEC12/06	K.L.



**ORDERING CODE:**

**PART NUMBER:** 1 7 E B H - 0 4 4 S A M - 2 1 0

- SERIES** \_\_\_\_\_
- NUMBER OF CONTACTS** \_\_\_\_\_  
044
- STYLE** \_\_\_\_\_  
S= SOCKET
- CONTACT PLATING OPTIONS  
FOR ENGAGEMENT AREA**
- AA= 3µ" [0.08 MICRONS] GOLD FLASH  
CH= 15µ" [0.38 MICRONS] GOLD  
AM= 30µ" [0.76 MICRONS] GOLD
- PCB MOUNTING OPTIONS**  
00= CLEAR HOLE  
10= ARROWHEAD BOARDLOCK
- PANEL MOUNTING OPTIONS**  
0= .120 [3.05] CLEAR HOLE  
1= #4-40 THREADED HOLE  
2= #4-40 UNC THREADED  
HEX JACK SOCKETS

**SPECIFICATIONS:**

- MATERIALS:** ALL MATERIALS ARE RoHS COMPLIANT.
- SHELLS:** STEEL, TIN PLATED.
- INSERTS:** HIGH TEMPERATURE RESISTANT NYLON, GLASS REINFORCED, UL FLAMMABILITY RATING 94V-0, COLOUR: BLACK.
- CONTACTS:** COPPER ALLOY, GOLD PLATING (SEE ORDERING CODE) OVER 50µ" [1.27 MICRONS] NICKEL ON ENGAGEMENT AREA WITH 100µ" [2.54 MICRONS] MIN. MATTE TIN ON CONTACT TERMINALS.
- BOARDLOCK:** COPPER ALLOY, TIN PLATED.

**ELECTRICAL DATA:**

- CURRENT RATING:** 3 AMP
- CONTACT RESISTANCE:** 15 MILLIOHMS MAX.
- INSULATION RESISTANCE:** 5000 MEGOHMS MIN.
- DIELECTRIC WITHSTANDING VOLTAGE:** 1000 VAC rms
- OPERATING TEMPERATURE:** -55°C TO +105°C

DRAWN	J.LEE	DATE	DEC12/06
DESIGNED			
CHECKED	K.LAMBIE	DATE	DEC12/06
I. E. APPRD.			
Q. A. APPRD.			
DWG. APPRD.			
ENG. REL. NO.			
REF.	EAR 12992		
DIMENSIONS ARE IN	CODE ID. NO.		
INCHES [mm]	03554		

**Amphenol Canada Corp.**

**TITLE** 17EBH SERIES HIGH DENSITY D-SUB CONNECTOR, 44 SIZE SOCKET, RIGHT ANGLE PCB CONTACTS, PLATING & MOUNTING OPTIONS, RoHS COMPLIANT

DWG	DRAWING NO.	REV.
C	P-17EBH-044SXX-XX0	A
SCALE	2/1	WT. _____
	SURF. _____	SHEET 1 OF 1

THIS DOCUMENT CONTAINS PROPRIETARY INFORMATION AND SUCH INFORMATION MAY NOT BE DISCLOSED TO OTHERS FOR ANY PURPOSE OR USED FOR MANUFACTURING PURPOSES WITHOUT WRITTEN PERMISSION FROM AMPHENOL CANADA CORP.