

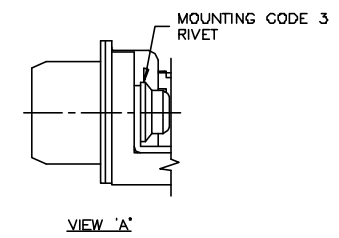
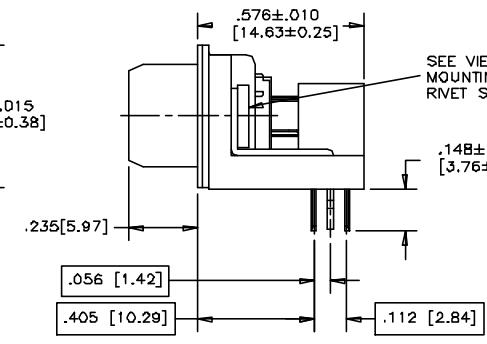
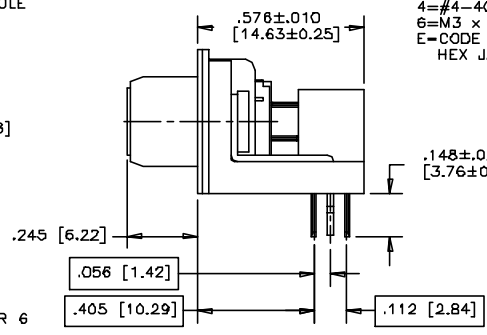
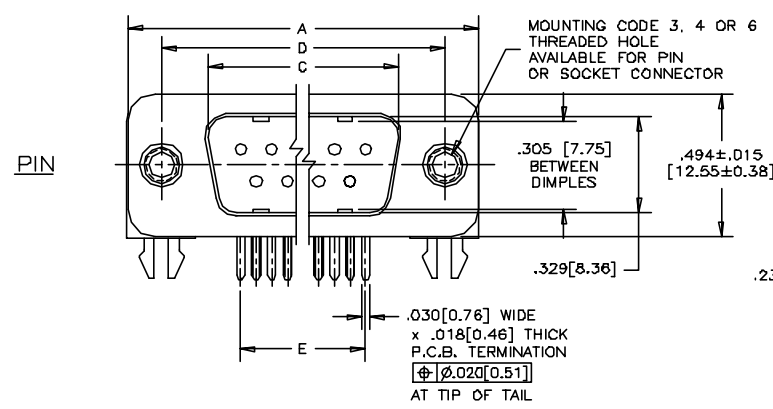
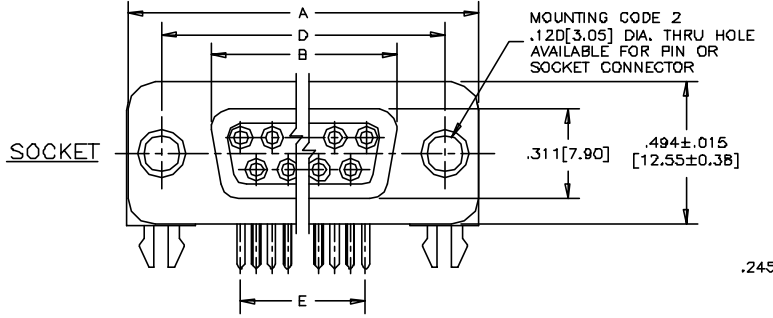
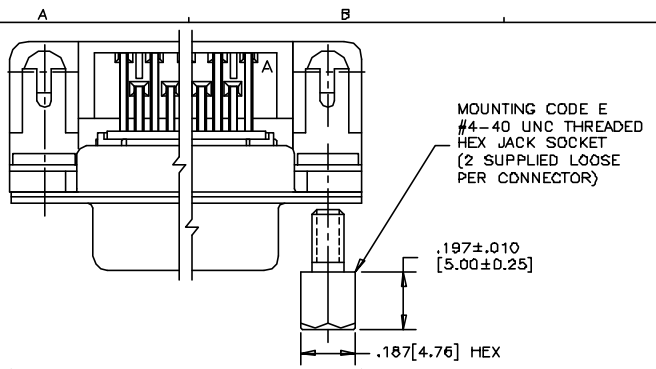
REVISIONS				
SYM	ZONE	EGN, ERN NO.	DATE	APPRD.
A		PRODUCT DRAWING	99/09/23	K.L.

THIS IS A CAD DRAWING. DO NOT MANUALLY REVISE!

ORDERING CODE: FCC17 - E09PB - 440G

SERIES
SIZE/NUMBER OF CONTACTS
 E09, A15, B25, OR C37
CONNECTOR STYLE
 P=PIN
 S=SOCKET
TERMINATION TYPE
 B=.405" [10.29] FOOTPRINT
MOUNTING
 2=.120 [3.05] DIA THROUGH HOLE
 3=#4-40 UNC SELF-LOCKING THREAD
 4=#4-40 UNC THREAD
 6=M3 x 0.5 THREAD
 E=CODE 4 MOUNTING WITH #4-40 UNC HEX JACK SOCKET SUPPLIED.

CONTACT FINISH/GOLD THICKNESS
 NO DIGIT-STANDARD 15 μINCHES [0.38 MICRONS] GOLD
 G=50 μINCHES [1.27 MICRONS] GOLD
MODIFIER
 0-STANDARD
FILTER CAPACITANCE
 D=50 pF 5=1000 pF
 0=180 pF E=2200 pF
 1=470 pF 9=5600 pF
 4=820 pF 8=47000 pF
 REFER TO AMPHENOL CATALOGUE FOR FILTER PERFORMANCE CHARACTERISTICS



NOTES:

- MATERIALS: - SHELLS - TIN PLATED STEEL
 - CONTACTS - PHOSPHOR BRONZE PLATED WITH GOLD OVER NICKEL ON THE MATING AREA AND TIN-LEAD ON THE TERMINALS
 - INSULATOR - ENGINEERING THERMOPLASTIC, FLAMMABILITY RATING UL94V-0, BLACK.
- CONTACT RESISTANCE: 15 MILLIOHMS MAXIMUM.
- INSULATION RESISTANCE: 3000 MEGOHMS MINIMUM
- CURRENT RATING: 5 AMPS MAXIMUM
 2 AMPS FILTERING MAXIMUM
- OPERATING TEMPERATURE: -40°C TO 85°C.
- TOLERANCE, UNLESS INDICATED OTHERWISE, ±.005 [0.13].

SIZE	STYLE	A±.015 [0.38]	B±.005 [0.13]	C±.005 [0.13]	D±.005 [0.13]	E BSC.
E09	PIN	1.213 [30.81]	-----	.666 [16.92]	.984 [24.99]	.432 [10.97]
	SOCKET		.643 [16.33]	-----		
A15	PIN	1.541 [39.14]	-----	.994 [25.25]	1.312 [33.32]	.756 [19.20]
	SOCKET		.971 [24.68]	-----		
B25	PIN	2.088 [53.04]	-----	1.534 [38.96]	1.852 [47.04]	1.304 [33.12]
	SOCKET		1.511 [38.38]	-----		
C37	PIN	2.729 [69.32]	-----	2.182 [55.42]	2.500 [63.50]	1.956 [49.68]
	SOCKET		2.159 [54.84]	-----		

THIS DOCUMENT CONTAINS PROPRIETARY INFORMATION AND SUCH INFORMATION MAY NOT BE DISCLOSED TO OTHERS FOR ANY PURPOSE OR USED FOR MANUFACTURING PURPOSES WITHOUT WRITTEN PERMISSION FROM AMPHENOL CANADA CORP.

MATERIAL -----	DRAWN I.ESSAJEE	DATE 08/03/11	Amphenol Canada Corp. TITLE FCC17 FILTERED D-SUB, RIGHT ANGLE .405" [10.29] F/P, PIN & SOCKET - PLASTIC MTG. BRACKET & BOARDLOCK DWG DRAWING NO. P-FCC17-XXXXB-XXOX REV. A
	DESIGNED		
	CHECKED K.LAMBIE	99/09/23	
	I. E. APPRD.		
FINISH -----	Q. A. APPRD.		SCALE N.T.S. SURF. SHEET 7 OF 7
	DWG. APPRD.		
	ENG. REL. NO.		
	REF. EAR C1085B		
	DIMENSIONS ARE IN INCHES [mm]	03554	