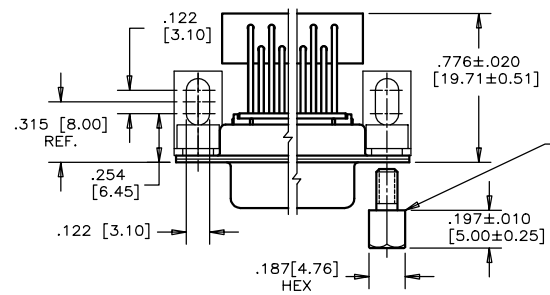


REVISIONS				
SYM	ZONE	ECN, ERN NO.	DATE	APPRD.
C		PRODUCT DRAWING	03/06/18	ATP

THIS IS A CAD DRAWING. DO NOT MANUALLY REVISE!



MOUNTING CODE E
#4-40 UNC THREADED
HEX JACK SOCKET
(2 SUPPLIED LOOSE
PER CONNECTOR)

ORDERING CODE: F C C 1 7 - E O 9 P C - 4 4 B G

SERIES
SIZE/NUMBER OF CONTACTS
E09, A15, B25, OR C37
CONNECTOR STYLE
P=PIN
S=SOCKET
TERMINATION TYPE
C=.590" [14.99] FOOTPRINT

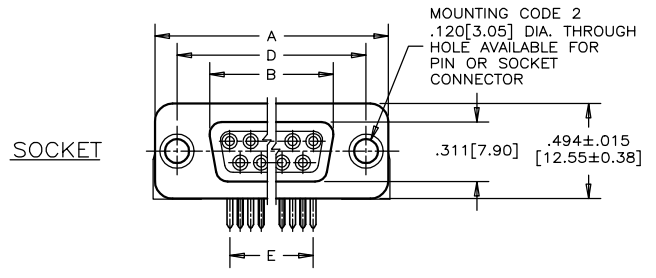
CONTACT FINISH/GOLD THICKNESS
NO DIGIT=STANDARD 15 MICRONS
[0.38 MICRONS] GOLD
G=50 MICRONS [1.27 MICRONS]
GOLD

MODIFIER
B=METAL MOUNTING BRACKETS
FILTER CAPACITANCE

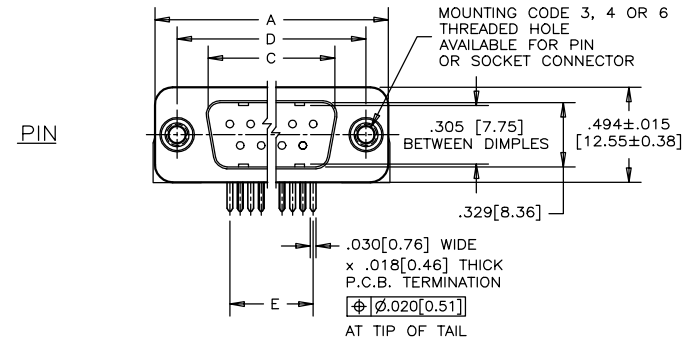
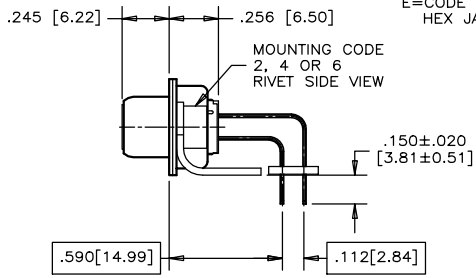
0=180 pF 9=5600 pF
1=470 pF 8=47000 pF
4=820 pF E=2200 pF
5=1000 pF F=330 pF

REFER TO AMPHENOL
CATALOGUE FOR FILTER
PERFORMANCE CHARACTERISTICS

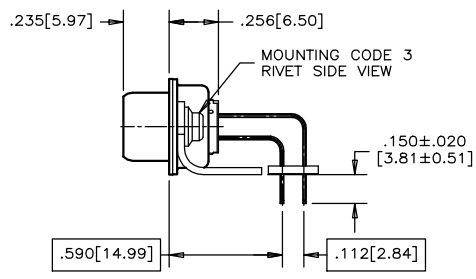
MOUNTING
2=.120 [3.05] DIA THROUGH HOLE
3=#4-40 UNC SELF-LOCKING THREAD
4=#4-40 UNC THREAD
6=M3 x 0.5 THREAD
E=CODE 4 MOUNTING WITH #4-40 UNC
HEX JACK SOCKET SUPPLIED.



SOCKET



PIN



NOTES:

- MATERIALS: - SHELLS - TIN PLATED STEEL
- CONTACTS - PHOSPHOR BRONZE PLATED WITH GOLD OVER NICKEL ON THE MATING AREA AND TIN-LEAD ON THE TERMINALS
- INSULATOR - ENGINEERING THERMOPLASTIC, FLAMMABILITY RATING UL94V-0, BLACK.
- CONTACT RESISTANCE: 15 MILLIOHMS MAXIMUM.
- INSULATION RESISTANCE: 3000 MEGOHMS MINIMUM
- CURRENT RATING: 5 AMPS MAXIMUM
2 AMPS FILTERING MAXIMUM
- OPERATING TEMPERATURE: -40°C TO 85°C.
- TOLERANCE, UNLESS INDICATED OTHERWISE, ±.005 [0.13].

SIZE	STYLE	A±.015 [0.38]	B±.005 [0.13]	C±.005 [0.13]	D±.005 [0.13]	E BSC.
E09	PIN	1.213 [30.81]	-----	.666 [16.92]	.984 [24.99]	.432 [10.97]
	SOCKET		.643 [16.33]	-----		
A15	PIN	1.541 [39.14]	-----	.994 [25.25]	1.312 [33.32]	.756 [19.20]
	SOCKET		.971 [24.66]	-----		
B25	PIN	2.088 [53.04]	-----	1.534 [38.96]	1.852 [47.04]	1.304 [33.12]
	SOCKET		1.511 [38.38]	-----		
C37	PIN	2.729 [69.32]	-----	2.182 [55.42]	2.500 [63.50]	1.956 [49.68]
	SOCKET		2.159 [54.84]	-----		

MATERIAL	DRAWN I.ESSAJEE	DATE 98/03/13
	DESIGNED K.LAMBIE	98/03/04
	CHECKED	
	I. E. APPRD.	
FINISH	Q. A. APPRD.	
	DWG. APPRD.	
	ENG. REL. NO.	
	REF. EAR C10684	
DIMENSIONS ARE IN INCHES [mm]		CODE ID. NO. 03554

Amphenol Canada Corp.		
TITLE FCC17 FILTERED D-SUB, RIGHT ANGLE .590 [14.99] F/P, PIN & SOCKET - METAL MOUNTING BRACKET		
DWG C	DRAWING NO. P-FCC17-XXXXC-XXBX	REV. C
SCALE 2/1	WT. -----	SURF. -----
SHEET 1 OF 1		

THIS DOCUMENT CONTAINS PROPRIETARY INFORMATION AND SUCH INFORMATION MAY NOT BE DISCLOSED TO OTHERS FOR ANY PURPOSE OR USED FOR MANUFACTURING PURPOSES WITHOUT WRITTEN PERMISSION FROM AMPHENOL CANADA CORP.