

REVISIONS				
REV	REN	DESCRIPTION	DATE	APPROVED
T		BASO MBR GASKET OPTION ADDED	SEP 15 09	ZJ
U		DETAILS ADDED	JAN 14 10	ZJ
V		NOTE # 3 ADDED	JAN 11 11	ZJ
Z		TOP VIEW ADDED	DEC 22 12	ZJ

# FS1 - SF1 - 1XXX

## MOUNTING SCREW OPTION

- 1 = 8 mm MOUNTING SCREW SHIPPED BULK IN SAME TRAYS WITH CAGE ASSEMBLIES
- 2 = NO MOUNTING SCREW SUPPLIED
- 3 = 10 mm MOUNTING SCREW WITH LOCK WASHER SHIPPED BULK IN SAME TRAYS WITH CAGE ASSEMBLIES

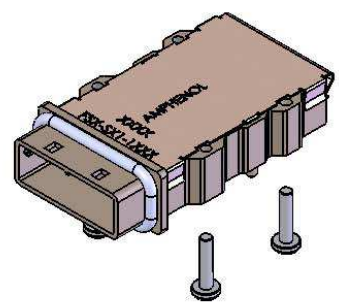
## GASKET OPTION

- E = STAINLESS STEEL EMIGASKET
- F = FOAM, CHOMERIC'S SOFTSHIELD 4800, EMIGASKET
- C = CONDUCTIVE ELASTOMER, CHOMERIC'S S6305

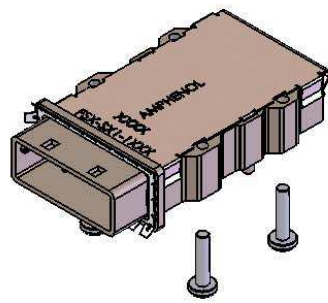
## KEYING OPTION (SEE BELOW TABLE FOR FURTHER CLARIFICATION)

- 0 = NO KEY
- 1 = KEY # 1
- 2 = KEY # 2
- 3 = KEY # 3
- 4 = KEY # 4
- 5 = KEY # 5
- 6 = KEY # 6
- 7 = KEY # 7
- 24 = KEY # 2 AND # 4
- 46 = KEY # 4 AND # 6

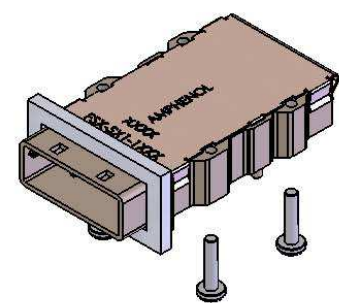
Key Option	Part Number	Description
0	FS1-SF1-10XX	No Key
1	FS1-SF1-11XX	SATA 'X' Cable
2	FS1-SF1-12XX	
3	FS1-SF1-13XX	
4	FS1-SF1-14XX	SAS Universal Port
5	FS1-SF1-15XX	
6	FS1-SF1-16XX	
7	FS1-SF1-17XX	SATA 'M' Cable
2, 4	FS1-SF1-124XX	SAS Out Port
4, 6	FS1-SF1-146XX	SAS In Port



PART NUMBER: **FS1-SF1-14C1** SHOWN  
(CAGE ASSEMBLY WITH ELASTOMERIC GASKET AND 8mm MOUNTING SCREWS SHIPPED BULK)



PART NUMBER: **FS1-SF1-14E1** SHOWN  
(CAGE ASSEMBLY WITH STAINLESS STEEL GASKET AND 8mm MOUNTING SCREWS SHIPPED BULK)



PART NUMBER: **FS1-SF1-14F1** SHOWN  
(CAGE ASSEMBLY WITH FOAM GASKET AND 8mm MOUNTING SCREWS SHIPPED BULK)

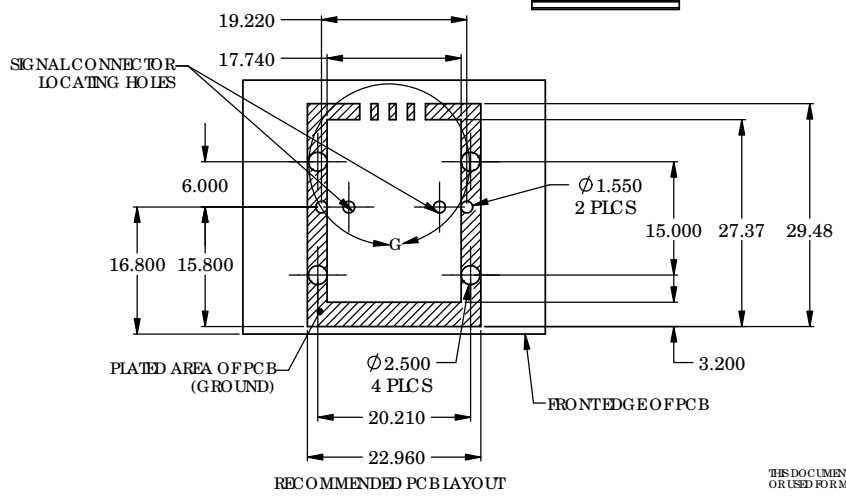
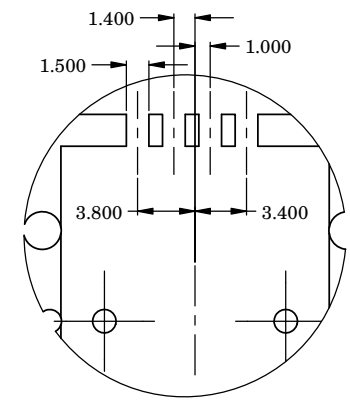
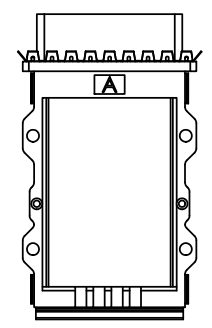
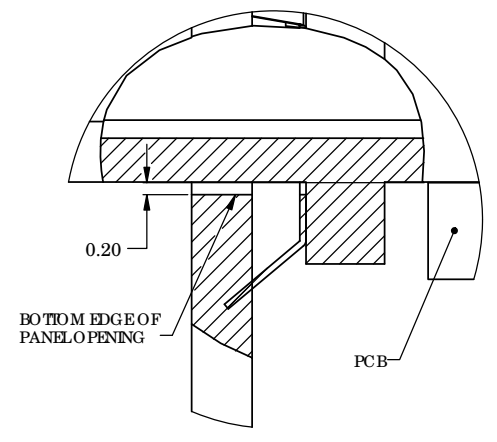
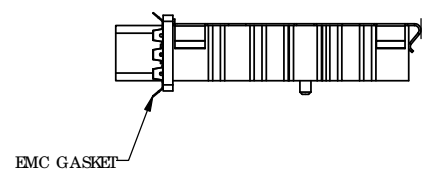
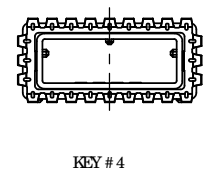
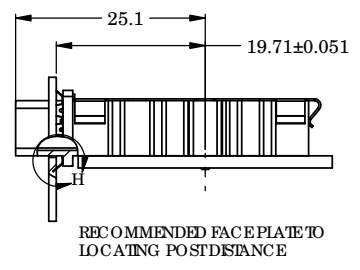
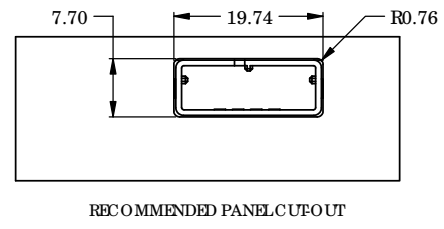
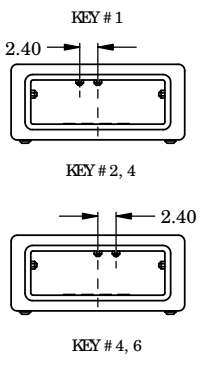
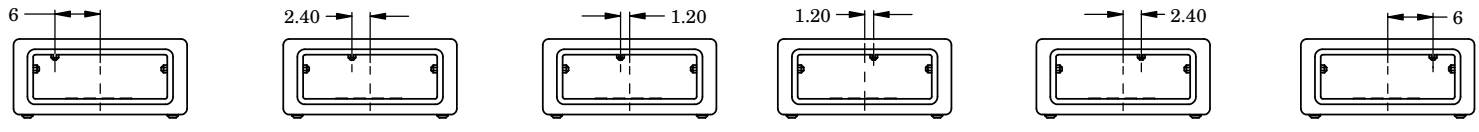
DO NOT SCALE DRAWING

THIS DOCUMENT CONTAINS PROPRIETARY INFORMATION AND SUCH INFORMATION MAY NOT BE DISCLOSED TO OTHERS FOR ANY PURPOSE OR USED FOR MANUFACTURING PURPOSES WITHOUT PERMISSION FROM AMPHENOL CANADA CORP.



UNLESS OTHERWISE SPECIFIED DIMENSIONS ARE IN MILLIMETERS		APPROVALS		DATE		Amphenol Canada Corp.	
DRW NO:	EAAPPD	DESIGNED:	ZJ	DRAWN:	ZJ	DATE:	JAN 6/09
REV:		CHECKED:	ZJ	DATE:	JAN 06/09	MINI SAS 0 DEGREE SINGLE PORT CAGE	
DRW NO:	EAR 123XX	QA APPD:		SCALE:	NIS	REV:	Z
COBALT NO:	03554	DRG APPD:		SCALE:	SFF	REV:	Z
						PAGE 1 OF 1	

REVISIONS				
REV	REN	DESCRIPTION	DATE	APPROVED
Z		SEE SHEET 1	06/02/13	ZLJ



- NOTES
- MATERIAL  
 MAIN CAGE: ZINC DIECAST SHELL WITH 150 MICRONCHES OF NICKEL PLATING  
 EMC GASKET: SEE SHEET 1  
 COVER: STAINLESS STEEL  
 MOUNTING SCREW: AISI 1010 STEEL
  - ROHS COMPLIANT
  - COMPATIBLE WITH SEF-8088 SHIELDED MULTILANE MINISAS PLUGS



UNLESS OTHERWISE SPECIFIED DIMENSIONS ARE IN MILLIMETERS		APPROVALS		DATE		Amphenol Canada Corp.	
FINISH: XXX ± 0.25	ANGLE: ± 2°	DRAWN: ZLJ	DATE: JAN 06/09	REV: 1		MINISAS 0 DEGREE SINGLE PORT CAGE	
XXX ± 0.10		DRAWN: ZLJ	DATE: JAN 06/09	REV: 2		SCALE: NTS	
XXX ± 0.05		DATE: 03/54	SCALE: NTS	REV: SF		PAGE: 1 OF 1	

DO NOT SCALE DRAWING

THIS DOCUMENT CONTAINS PROPRIETARY INFORMATION AND SUCH INFORMATION MAY NOT BE DISCLOSED TO OTHERS FOR ANY PURPOSE OR USED FOR MANUFACTURING PURPOSES WITHOUT PERMISSION FROM AMPHENOL CANADA CORP.