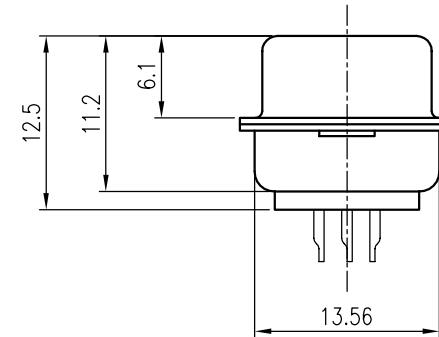
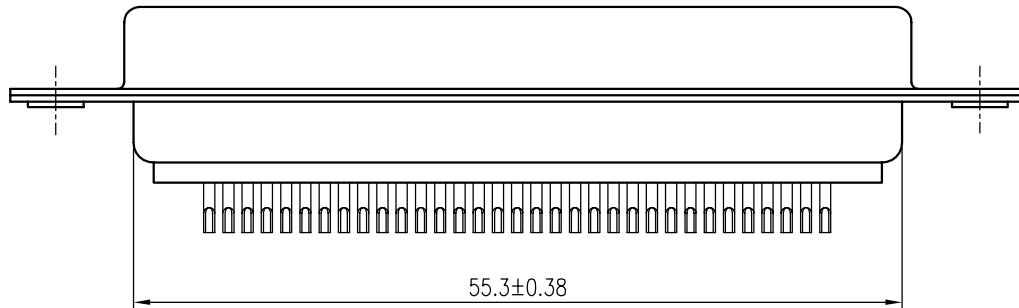
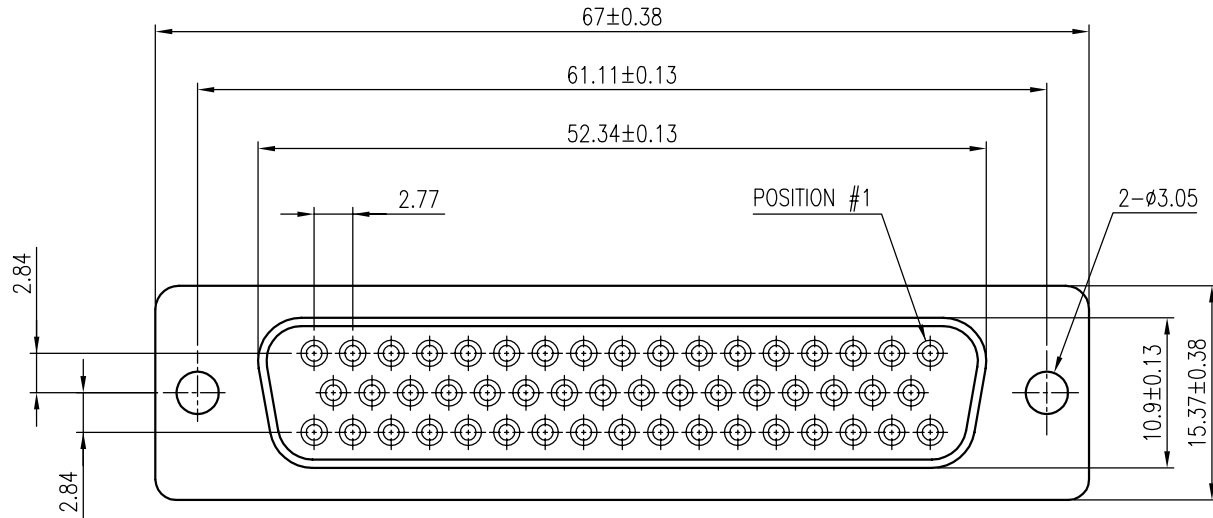


This document is the property of Amphenol Corporation and is delivered on the express condition that it is not to be disclosed, reproduced or used, in whole or in part, for manufacture or sale by anyone other than Amphenol Corporation without its prior consent, and that no right is granted to disclose or to use any information in this document.

# CUSTOMER DRAWING ORIGINAL

REVISIONS				
SYM	ECN No.	DESCRIPTION	DATE	APPROVED
A		RELEASE FOR RoHS	09/09/2005	Henry Ko



**NOTES:**

- FRONT & REAR SHELL FINISH: SELECTIVE PLATED
- CONTACTS FINISH: SELECTIVE PLATED
- INSULATOR: PBT, GLASS FIBER FILLED, UL94 V-0, COLOR- BLACK
- THIS PRODUCT DOESN'T CONTAIN ENVIRONMENTAL HAZARDOUS MATERIALS PER DIRECTIVE 2002/95/EC FOR RoHS.

TOLERANCE m/m		APPROVALS	DATE	TITLE		Amphenol®	
x.	$\pm 0.30$	DRAWN		G17S SERIES D-SUB RECEPTACLE SOLDER-POT 50 POSITIONS		Amphenol Corporation Amphenol East Asia Limited	
x.x	$\pm 0.25$	Sondra Sang	09/09/05				
x.xx	$\pm 0.15$	CHECKED	Laura Su				
x.xxx	$\pm 0.08$	APPROVED	Alex Lin	09/09/05	SCALE N.A.		SHEET 1 OF 1
ANGULAR	$\pm 2^\circ$			SIZE	PART NO.	DRAWING NO.	REV.
UNLESS OTHERWISE SPECIFIED		UNIT		A4	G17S 500X XX0 EU	DSUB-G17S500XXX0EU-25	A