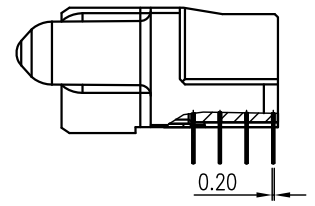
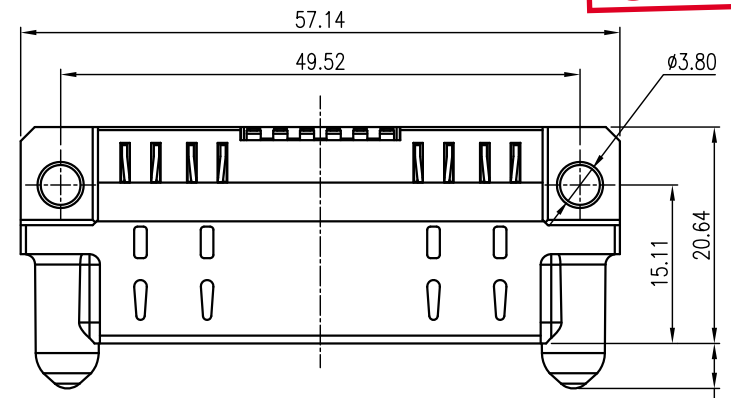


This document is the property of Amphenol Corporation and is delivered on the express condition that is not to be disclosed, reproduced or used, in whole or in part, for manufacture or sale by anyone other than Amphenol Corporation without its prior consent, and that no right is granted to disclose or to use any information in this document.

The marking on this product doesn't contain environmental hazardous materials per Material Specification 55-00259 for Sony GP compliant or per directive 2002/95/EC for RoHS compliant.

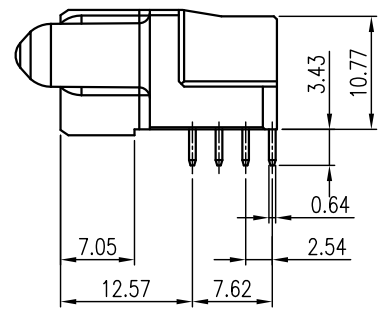
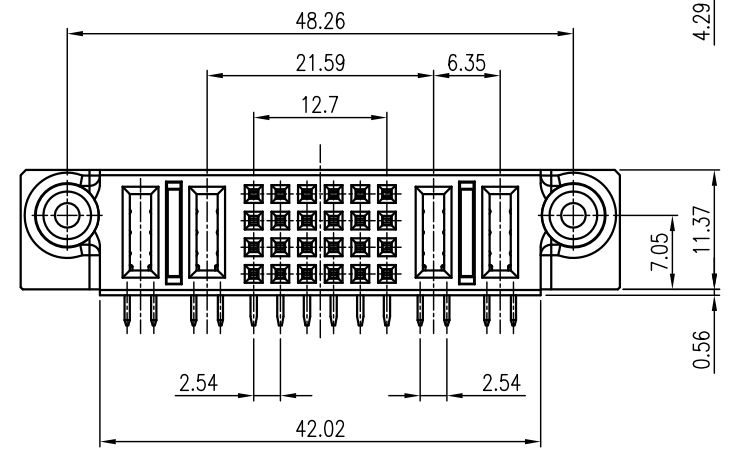
**PRELIMINARY RELEASE
SUBJECT TO CHANGE**

REVISIONS				
SYM	ECN No.	DESCRIPTION	DATE	APPROVED
AX1		NON-RELEASE REVISION	05/09/2011	Arron Lin

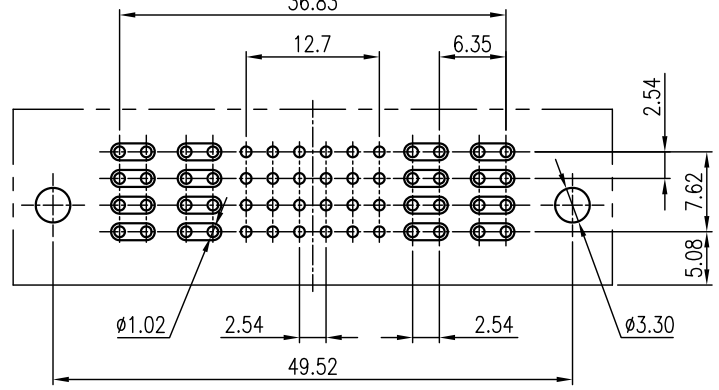


NOTES:

- MATERIAL:**
HOUSING: HIGH TEMPERATURE THERMAL PLASTIC, LCP, UL94V-0, COLOR: BLACK.
SPACE: HIGH TEMPERATURE THERMAL PLASTIC, LCP, UL94V-0, COLOR: BLACK.
SIGNAL TERMINAL: COPPER ALLOY.
POWER TERMINAL: COPPER ALLOY.
- FINISH:**
TERMINAL:
CONTACT AREA: SECTIVE GOLD PLATING ;
SOLDERING AREA: MATTE TIN PLATING 100 μ" THICKNESS MIN.;
UNDER PLATING: NICKEL PLATING 50 μ" THICKNESS MIN. OVERALL.
- PACKING IS PER AMTA PACKING SPECIFICATION PKS-0001.
- THIS PRODUCT DOESN'T CONTAIN ENVIRONMENTAL HAZARDOUS PER DIRECTIVE 2002/95/EC FOR RoHS COMPLIANT.



P/N: G20F2060 X OHR
CONTACT FINISH
0: PD/Ni 27u"+Au 3u"



RECOMMEND PCB LAYOUT

TOLERANCE	APPROVALS	DATE	TITLE		Amphenol®							
X. ±0.30	DRAWN Debby Hung	05/09/2011	POWER CONNECTOR 2DC24S2DC FEMALE R/A DIP TYPE		Amphenol Corporation Amphenol Taiwan Corporation							
X.X ±0.20	CHECKED Roger Tsai	05/09/2011										
X.XX ±0.10	APPROVED Arron Lin	05/09/2011	UNLESS OTHERWISE SPECIFIED	DWG TYPE CUST DWG	PROJECT CODE BHD	UNIT mm	SCALE NA	SIZE A3	SHEET 1 OF 1	PART No. G20F2060XOHR	DWG No. G20F2060XOHR	REV. AX1
ANGULAR ±1°												