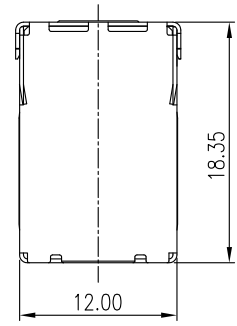
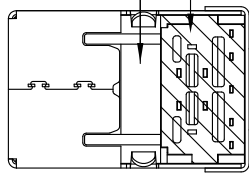


This document is the property of Amphenol Corporation and is delivered on the express condition that is not to be disclosed, reproduced or used, in whole or in part, for manufacture or sale by anyone other than Amphenol Corporation without its prior consent, and that no right is granted to disclose or to use any information in this document.

The marking on this product doesn't contain environmental hazardous materials per Material Specification 55-00259 for Sony GP compliant or per directive 2002/95/EC for RoHS compliant.

REVISIONS				
SYM	ECN No.	DESCRIPTION	DATE	APPROVED
AX1		NON-RELEASE REVISION	06/02/2010	Roger Tsai
AX2		1. ADD NOTE.3 2. ADD BAFFLE MATERIAL. 3. ADD PACKAGING	06/25/2010	Arron Lin

HOUSING: PBT
BAFFLE: NYLON66



PART NO. GSB3211XXXWEU

CONTACT FINISH
1: GOLD FLASH
2: 5 μ" GOLD
3: 30 μ" GOLD

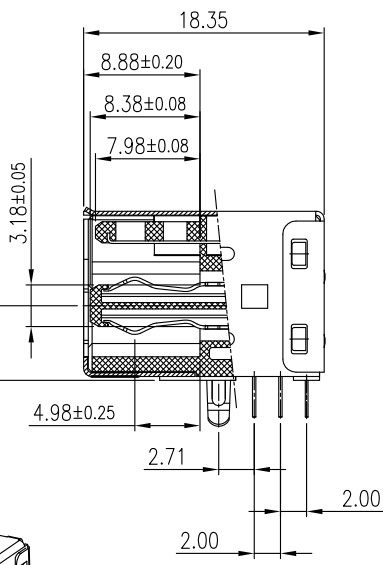
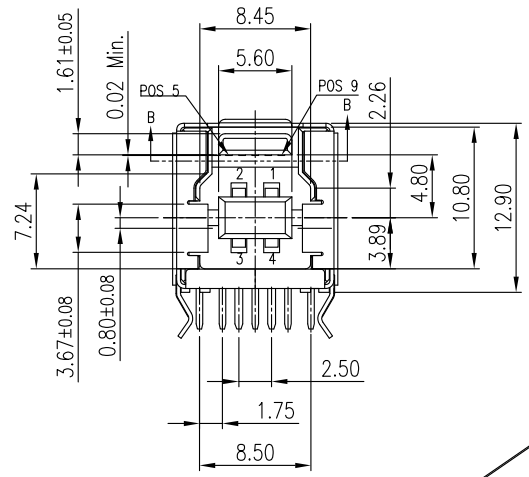
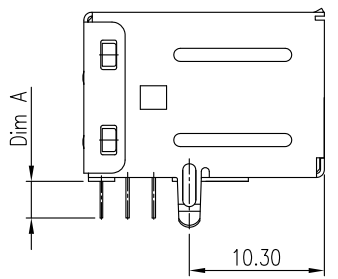
TAIL LENGTH
1: 2.80 MM
2: 3.30 MM

COLOR
1: BLUE
3: BLACK

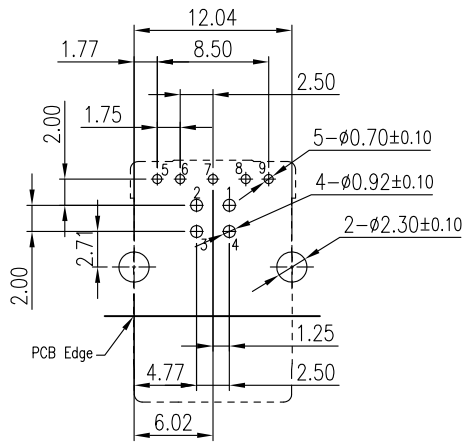
PART NO.	Dim A
GSB3211XX1WEU	2.80 MM
GSB3211XX2WEU	3.30 MM

Pin Number	Signal Name	Pin Number	Signal Name
1	VBUS	6	StdB_SSTX+
2	D-	7	GND-DRAIN
3	D+	8	StdB_SSRX-
4	GND	9	StdB_SSRX+
5	StdB_SSTX-		

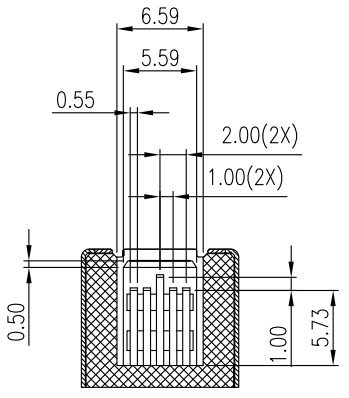
- NOTES:**
- MATERIAL:**
HOUSING: HIGH TEMPERATURE THERMAL PLASTIC, PBT, UL94V-0.
BAFFLE : HIGH TEMPERATURE THERMAL PLASTIC, NYLON66, UL94V-0.
TERMINAL A: COPPER ALLOY.
TERMINAL B: COPPER ALLOY.
SHELL: COPPER ALLOY.
 - FINISH:**
TERMINAL A & TERMINAL B:
CONTACT AREA: SELECTED GOLD PLATING;
SOLDERING AREA: TIN PLATING 100 μ" THICKNESS MIN.;
UNDER PLATING: NICKEL PLATING 50 μ" THICKNESS MIN.OVERALL
SHELL:
NICKEL PLATING 50 μ" THICKNESS MIN.OVERALL.
 - THIS PRODUCT IS FOR WAVE SOLDERING ONLY.
 - THIS PRODUCT DOESN'T CONTAIN ENVIRONMENTAL HAZARDOUS PER DIRECTIVE 2002/95/EC FOR RoHS COMPLIANT.



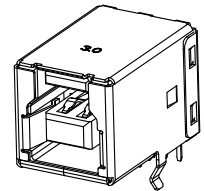
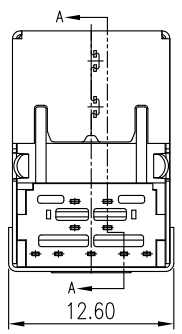
SECTION: A-A



PCB Layout TOP View (T=1.60mm)



SECTION: B-B

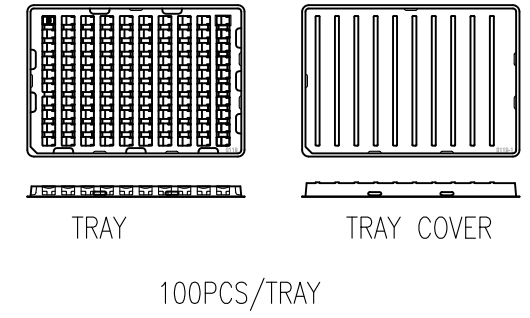
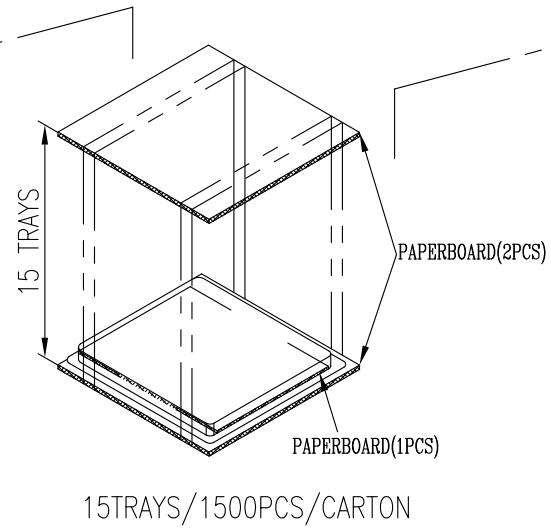
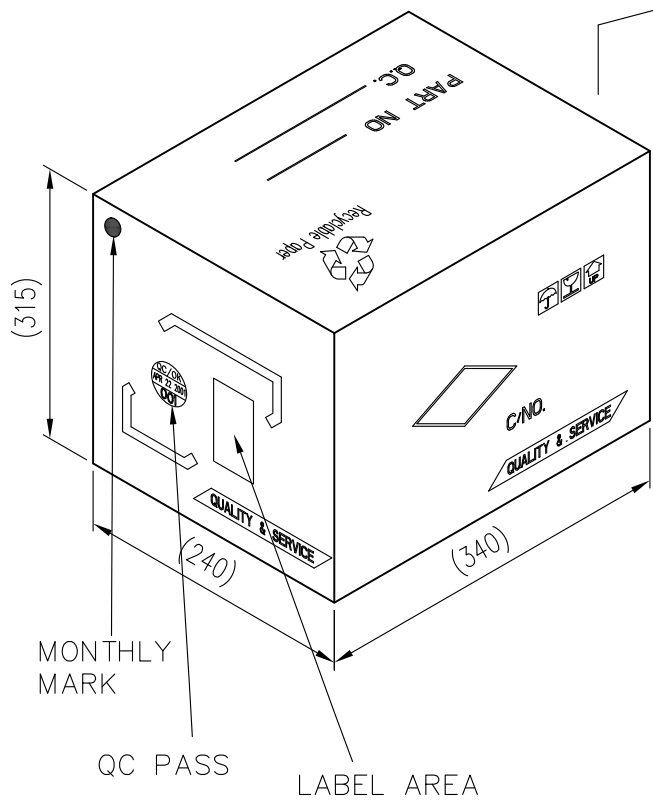


TOLERANCE		APPROVALS		DATE		TITLE		Amphenol®				
X.		DRAWN	Aqua Chou		06/25/2010	USB 3.0 B TYPE RECEPTACLE RIGHT ANGLE, DIP TYPE		Amphenol Corporation Amphenol Taiwan Corporation				
X.X	±0.30	CHECKED	Roger Tsai		06/25/2010							
X.XX	±0.20	APPROVED	Arron Lin		06/25/2010							
X.XXX	±0.10	DWG TYPE	CUST DWG	PROJECT CODE	OTHER							
ANGULAR	±1°					UNIT	mm	SIZE	A3	PART No.	GSB3211XXXWEU	
UNLESS OTHERWISE SPECIFIED						SCALE	NA	SHEET	1 OF 2	DWG No.	GSB3211XXXWEU	
										REV.	AX2	

This document is the property of Amphenol Corporation and is delivered on the express condition that is not to be disclosed, reproduced or used, in whole or in part, for manufacture or sale by anyone other than Amphenol Corporation without its prior consent, and that no right is granted to disclose or to use any information in this document.

The marking on this product doesn't contain environmental hazardous materials per Material Specification SS-00259 for Sony GP compliant or per directive 2002/95/EC for RoHS compliant.

REVISIONS				
SYM	ECN No.	DESCRIPTION	DATE	APPROVED
AX1		NON-RELEASE REVISION	06/02/2010	Roger Tsai
AX2		1. ADD NOTE.3 2. ADD BAFFLE MATERIAL. 3. ADD PACKAGING	06/25/2010	Arron Lin



**PRELIMINARY RELEASE
SUBJECT TO CHANGE**

100	15	1500	8.3	7.0	GSB3211XXXWEU
PCS/ TRAY	TRAYS/ BOX	QUANTITY (PCS)	G/W (Kg)	N/W (Kg)	PART NUMBER

TOLERANCE	APPROVALS	DATE	TITLE		PART No.	
X. ±0.30	DRAWN Aqua Chou	06/25/2010	USB 3.0 B TYPE RECEPTACLE RIGHT ANGLE, DIP TYPE		Amphenol [®] Amphenol Corporation Amphenol Taiwan Corporation	
X.X ±0.20	CHECKED Roger Tsai	06/25/2010				
X.XXX ±0.10	APPROVED Arron Lin	06/25/2010				
ANGULAR ±1°	DWG TYPE CUST DWG	PROJECT CODE OTHER		UNIT mm	SIZE A3	PART No. GSB3211XXXWEU
UNLESS OTHERWISE SPECIFIED				SCALE NA	SHEET 2 OF 2	DWG No. GSB3211XXXWEU REV. AX2