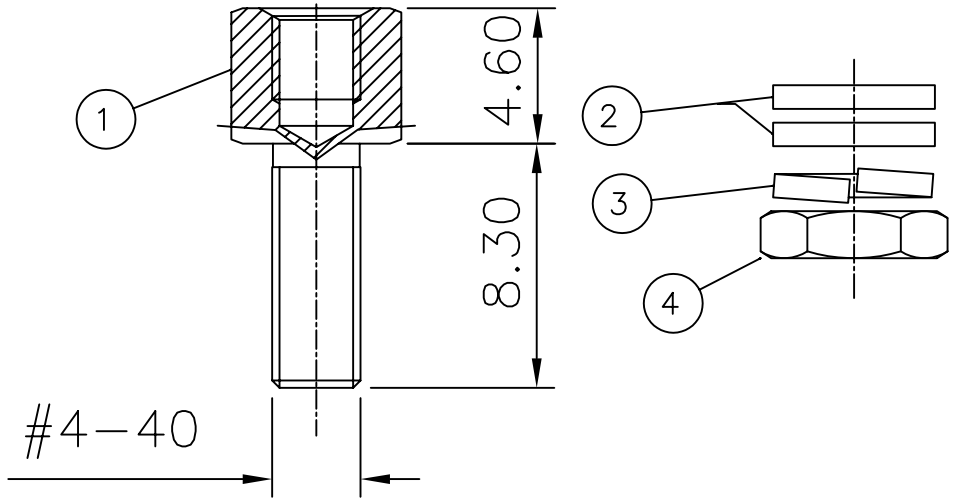
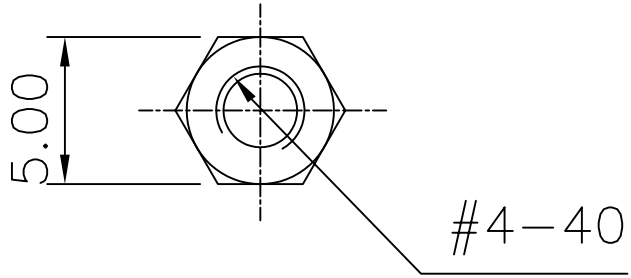


This document is the property of Amphenol Corporation and is delivered on the express condition that it is not to be disclosed, reproduced or used, in whole or in part, for manufacture or sale by anyone other than Amphenol Corporation without its prior consent, & that no right is granted to disclose or to use any information in this document.

REVISIONS				
SYM	ECN	DESCRIPTION	DATE	APPROVED
1			06/17/08	



- ① SCREWS
- ② 2 WASHERS
- ③ LOCK WASHERS
- ④ NUTS



CUSTOMER DRAWING

D-SUB TECHNICAL DATA

Plating : tinned  
 delivered separately  
 1 P/N = 10 lockings  
 2 lockings are necessary for one connector

MARKING:  
 Amphenol...(Series No.)  
 Commercial reference  
 Manufacturing date

UNLESS OTHERWISE SPECIFIED TOLERANCES		APPROVAL		DATE	Amphenol®	
	U.S.	METRIC	DRAWN	Lisa.peng		07/31/07
.X	+/-	0.50	CHECKED	Mk.wang		07/31/07
.XX	+/-	0.30	CHECKED			
.XXX	+/-	0.20				
FRACTIONS	+/-					
ANGLES	+/-	2'				
FOR MATERIALS AND FINISHES SEE NOTES			DRAWING FILE : DRAWING Desig\LI7D204182			
REMOVE SHARP EDGES			ANGLE OF PROJECTION			
DIMENSIONS						
U.S. INCHES						
METRIC MM						
TITLE		SIZE		DRAWING NO.		
Accessory, screwlock with nut and washes		A4		C LI7D204182X		
SCALE		NONE		REV. 1		
SHEET		1 OF 1				