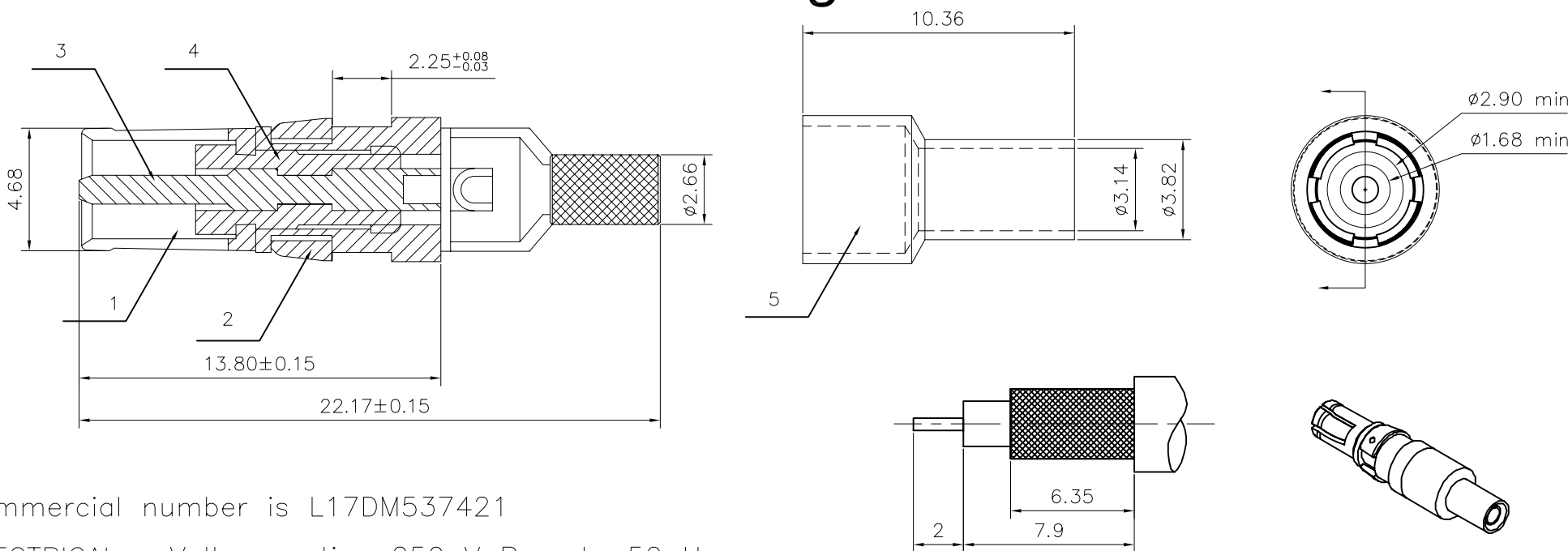


This document is the property of Amphenol Corporation and is delivered on the express condition that it is not to be disclosed, reproduced or used, in whole or in part, for manufacture or sale by anyone other than Amphenol Corporation without its prior consent, & that no right is granted to disclose or to use any information in this document.

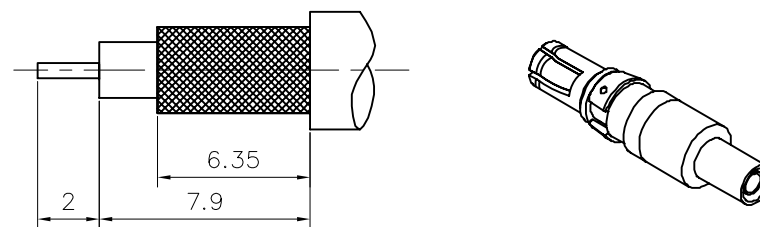
Customer drawing

REVISIONS				
SYM	ECN	DESCRIPTION	DATE	APPROVED
E			02/03/08	



Notes:

- Commercial number is L17DM537421
- ELECTRICAL: Voltage rating 250 V Rms to 50 Hz
Current rating 3A
Withstanding Voltage >1000 V Rms
Insulation resistance >1000 M Ohms
Contact resistance: center contact 5.0 mOhms
outer contact 3.0 mOhms.
- Cable RG: 179 B/U
- Ferrule crimp: 3.25/plats
- CLIMATIC: Temperature range -55 °C up to 125°C
- MARKING: Amphenol...(Series No.)
Manufacturing date
Commercial reference



Trim cable

5	brass	gold over 1.25 min nickel
4	ferrule	Color white
3	Phosphor bronze	0.75um min gold over 1.25 min nickel
2	thermoplastic	Color black
1	brass	gold over 1.25 min nickel
Sequence	Material	Remark

UNLESS OTHERWISE SPECIFIED TOLERANCES		APPROVAL		DATE
U.S.	METRIC	DRAWN	Sunny.Li	02/03/08
.X +/-	0.20	CHECKED	kk.wang	02/03/08
.XX +/-	0.10	CHECKED		
.XXX +/-	0.05			
FRACTIONS +/-				
ANGLES +/-	2'			
FOR MATERIALS AND FINISHES SEE NOTES		DRAWING FILE :		
REMOVE SHARP EDGES		ANGLE OF PROJECTION		
DIMENSIONS				
U.S.	INCHES			
METRIC	MM			

Amphenol®		
TITLE Straight shielded contacts Crimp ferrule		
SIZE	DRAWING NO.	REV.
A4	C L17DM53742-1	E
SCALE	NONE	SHEET 1 OF 1

