

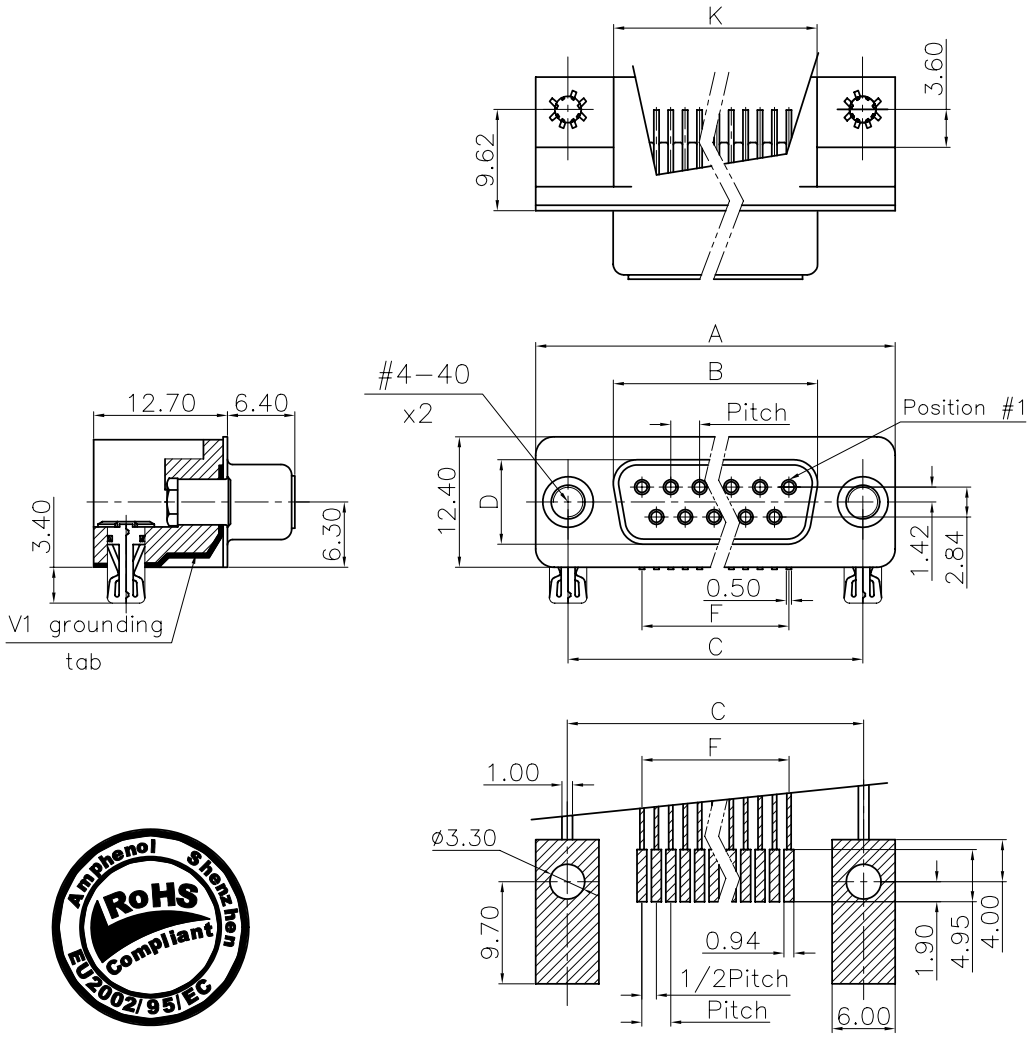
This document is the property of Amphenol Corporation and is delivered on the express condition that it is not to be disclosed, reproduced or used, in whole or in part, for manufacture or sale by anyone other than Amphenol Corporation without its prior consent, & that no right is granted to disclose or to use any information in this document.

**REVISIONS**

SYM	ECN	DESCRIPTION	DATE	APPROVED
A			11/26/07	

**D-SUB TECHNICAL DATA**

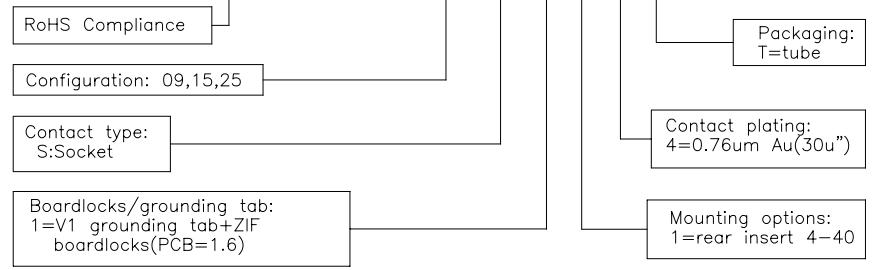
SHELL : Steel 100u" min tin over 50u" min nickel  
 BODY : Glass filled thermoplastic.  
 Flame retardant to UL94 V-0 Color Black  
 CONTACTS : Phosphor bronze  
 0.76um(30u") over 1.25um(50u") min nickel on mating area  
 BOARDLOCK: Brass. 100u" min tin over 50u" min nickel  
 REAR INSERT : Brass. 100u" min tin over 50u" min nickel  
 GROUNDING : Grounding strap : Brass. 100u" min sn over 50u" min nickel  
 ELECTRICAL : Voltage rating 300 V Rms to 50 Hz  
 Current rating 3A  
 Withstanding Voltage >1000 V Rms to 50 Hz for one minute  
 Insulation resistance >5000 M Ohms  
 Contact resistance 20 mOhms max.  
 CLIMATIC : Temperature range 85 °C, peak at 105°C  
 Damp heat 56 days(40°C-95% HR)  
 MARKING : Amphenol...(Series No.)  
 Commercial reference  
 Manufacturing date



**RECOMMENDED P.C.B LAYOUT**  
 (TOLERANCE +/-0.03)

**PRODUCT CODE**

**L 17 SM2 XX S 1 1 4 T**



DIM.S	A	B	C	D	E	PITCH	F	K
SHLL								
E	31.15	16.40	25.00	8.03	12.40	2.74	10.97	16.30
A	39.40	24.80	33.30	8.03	12.40	2.74	19.20	24.60
B	53.30	38.50	47.70	8.03	12.40	2.76	33.12	38.30

**Customer drawing**

UNLESS OTHERWISE SPECIFIED TOLERANCES		APPROVAL	DATE
	U.S. METRIC	DRAWN	christina.cui/11/26/07
.X +/-	0.50	CHECKED	LAE.wang/11/26/07
.XX +/-	0.30	CHECKED	
.XXX +/-	0.20		
FRACTIONS +/-			
ANGLES +/-	2'		
FOR MATERIALS AND FINISHES SEE NOTES		DRAWING FILE :	
REMOVE SHARP EDGES		ANGLE OF PROJECTION	
DIMENSIONS			
U.S. INCHES			
METRIC MM			

Amphenol		
TITLE Surface mount connectors SM2 Series		
SIZE	DRAWING NO.	REV.
A4	C L17SM2XXS114T	A
SCALE	NONE	SHEET 1 OF 1