

TECHNICAL DATA

'' D '' SUBMINIATURE CONNECTORS

SHELL : Steel
finish : tinned

BODY : Glass filled thermoplastic ;
Colour : black .

CONTACTS : Material for sockets : brass
Material for pins brass
Finish of contact mating area :
20µ inch Gold over Nickel

ELECTRICAL Voltage rating : 300 V Rms to 50Hz .
Nominal current : 7,5 A (size20)
Voltage proof : >1000 V Rms to 50 Hz
Contact resistance : <8,5m Ohms .
Insulator resistance : >5000 M Ohms.

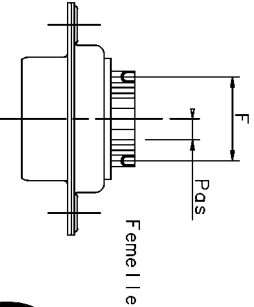
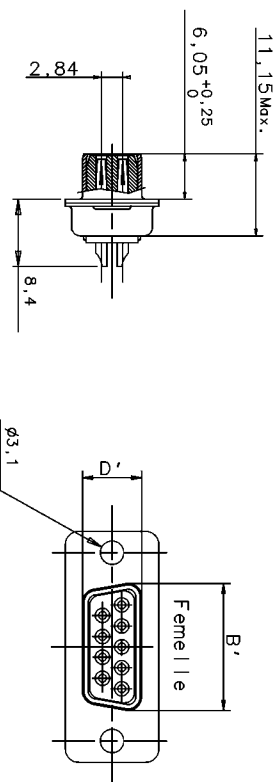
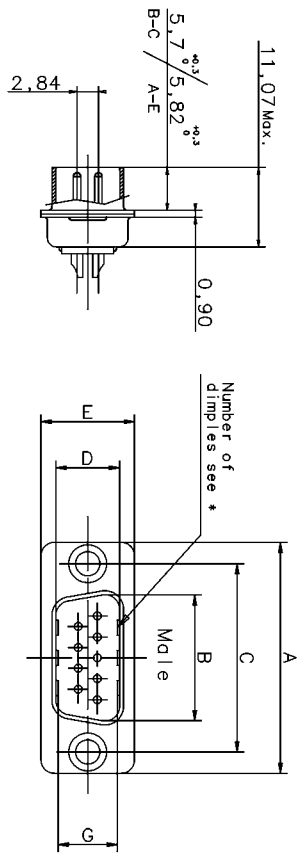
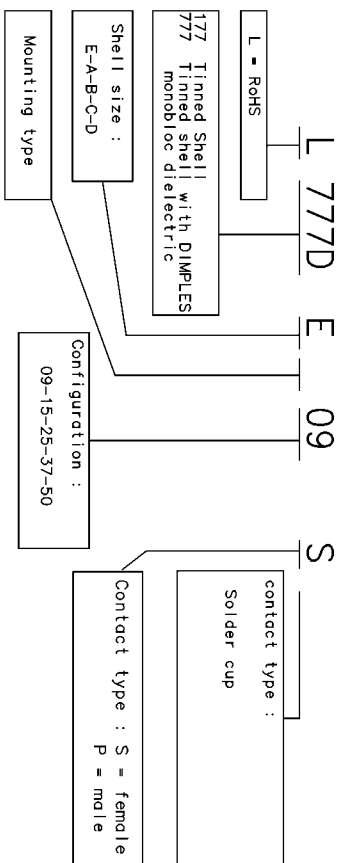
CLIMATIC Temperature range -55°C +85°C
Damp heart 21 days (40°C - 95 % RH)

MECHANICAL Insertion force per contact 1,2N < F < 2,5 N
Extraction force per contact 0,4 N mini
Mating and unmating force size

A	30N	maxi	3,5N	mini
B	50N	maxi	4,5N	mini
C	83N	maxi	8,0N	mini
D	123N	maxi	11,0N	mini
	166N	maxi	14,5N	mini

(With or without dimples)

MARKING Amphenol -(serie number)
Commercial reference
Manufacturing date



Profile	A	B'	B	C	D'	D	E	F ±0,05	Pds	G	*
E	30,43	16,49	16,94	24,12	8,92	8,43	12,92	10,98	2,74	7,62	2x3
A	38,74	24,54	25,12	33,20	8,92	8,43	12,92	19,20	2,74	7,62	2x5
B	52,65	38,25	38,84	46,91	8,92	8,43	12,92	33,12	2,76	7,62	2x8
C	68,70	54,97	55,50	63,57	8,92	8,43	12,92	49,68	2,76	7,62	2x12
D	86,31	72,50	72,98	81,99	10,82	10,35	14,99	66,20	2,76	10,5	2x12

DATE DU TIRAGE N ETUDE N OUTIL N CLIENT

IND. I MODI F I CAUTION DATE Encasé/Approv

N SERIE 017F

DESIGNATION L**7D***

COMMUNICATION ET UTILISATION INTERDITES SAUF AUTORISATION

Amphenol Socapex
Usine de Dole

PLAN NOTICE

ECHELLE: 1:5

POSS. ER: NOT. CE-170