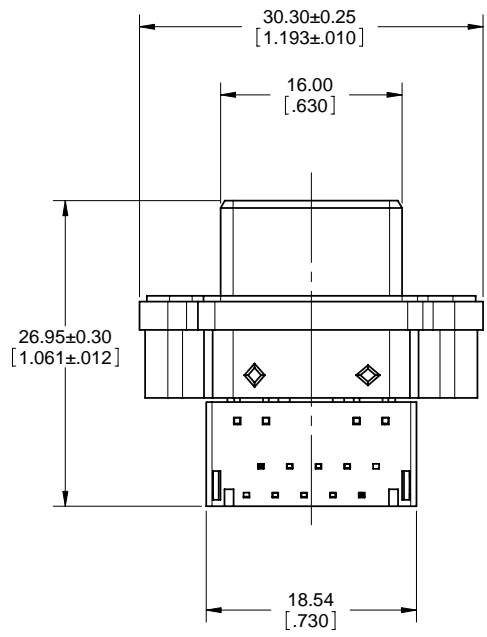
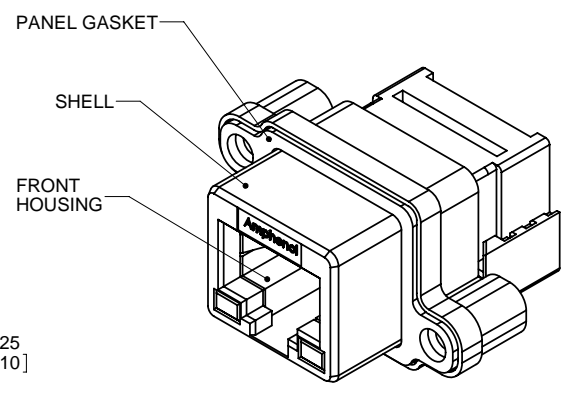
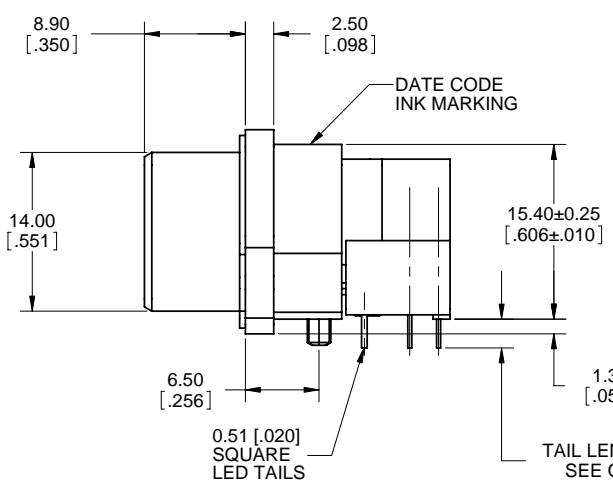
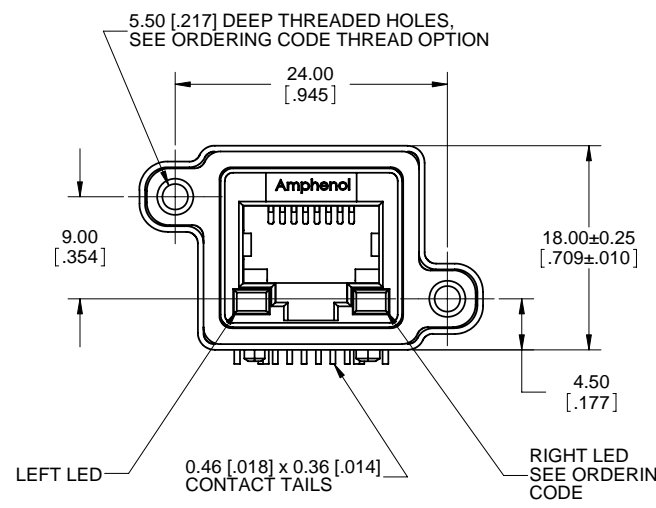


REVISIONS			
REV	DESCRIPTION	DATE	APPRD
K	PRODUCT DRAWING (EAR 13638)	DEC 09/09	KL



ORDERING CODE: **MRJ-53XX-X1**

SERIES, RUGGED RJ

RECEPTACLE, RIGHT ANGLE, PCB TAIL

NUMBER OF CONTACTS  
8= 8 CONTACTS  
A=10 CONTACTS

LED OPTION  
0=NONE  
1=GREEN LEFT, YELLOW RIGHT  
4=YELLOW LEFT, GREEN RIGHT  
5=GREEN LEFT, GREEN RIGHT  
A=BI-COLOUR GREEN/YELLOW LEFT  
BI-COLOUR GREEN/YELLOW RIGHT  
D=GREEN LEFT  
BI-COLOUR GREEN/YELLOW RIGHT  
E=YELLOW LEFT  
BI-COLOUR GREEN/YELLOW RIGHT

TAIL LENGTH AND MOUNTING HOLE THREAD OPTION  
0= TAIL LENGTH A=2.54 [0.100], #4-40 UNC THREAD  
B= TAIL LENGTH A=3.81 [1.50], #4-40 UNC THREAD  
M= TAIL LENGTH A=2.54 [0.100], M3 x 0.5 THREAD  
P= TAIL LENGTH A=3.81 [1.50], M3 x 0.5 THREAD

SINGLE PORT

NOTES:

- MATERIAL:  
ALL MATERIALS ARE RoHS COMPLIANT PER EU DIRECTIVE 2002/95/EC AND AMENDMENTS
  - SHELL - DIECAST ZINC, NICKEL PLATED
  - CONTACTS - PHOSPHOR BRONZE WITH 50 MICROINCHES (1.27 MICRONS) GOLD OVER 50 MICROINCHES (1.27 MICRONS) MINIMUM NICKEL ON THE MATING AREA AND MATTE TIN OVER NICKEL ON THE CONTACT TAILS.
  - INSERTS - ENGINEERING THERMOPLASTIC, UL FLAMMABILITY RATING 94V-0. REAR INSERTS: BLACK NYLON, FRONT INSERT: CLEAR POLYCARBONATE
  - LED'S - EPOXY LENS, STEEL TAILS WITH TIN PLATING
  - GASKET - SILICONE RUBBER
- ENVIRONMENTAL PERFORMANCE PER IEC 60529 CODE IP67 FOR SEAL BETWEEN MATING AREA AND PCB SIDE OF CONNECTOR. GASKET PROVIDES SEAL TO INSIDE FACE OF PANEL.
- CURRENT RATING: 1.5 AMPERES
- CONTACT RESISTANCE: 30 MILLIOHMS MAXIMUM
- OPERATING TEMPERATURE: -40°C TO +105°C
- LED CHARACTERISTICS: FORWARD DC CURRENT 25 mA MAX., FORWARD VOLTAGE 2.5 V MAX @ 2 mA
- AVAILABLE MATING AREA COVERS PROVIDE ADDED PROTECTION. CONSULT WITH AMPHENOL CANADA FOR DETAILS.
- CUSTOMER TO VERIFY THAT ALL PROCESS CLEANERS ARE COMPATIBLE WITH POLYCARBONATE MATERIAL.

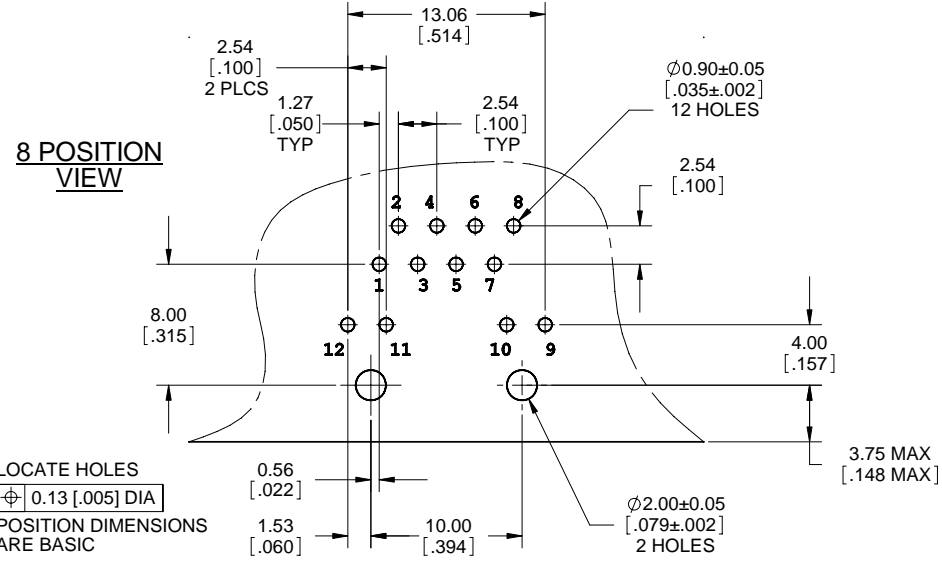


UNLESS OTHERWISE SPECIFIED DIMENSIONS ARE IN MILLIMETERS TOLERANCES ARE		APPROVALS		DATE		<b>Amphenol Canada Corp.</b>	
DECIMALS .XX ± 0.15 X ±		DRAWN S.SEMENOV		NOV11/04			
ANGLES ±		DESIGNED S.SEMENOV		NOV11/04		TITLE MRJ SERIES RUGGED MODULAR JACK 8 & 10 POSITION RIGHT ANGLE, WITH LED, TAIL LENGTH & THREAD OPTIONS, RoHS COMPLIANT	
MATERIAL AND FINISH		CHECKED		QA APPD			
REF.		EAPPD		SIZE C		DWG. NO. P-MRJ-53XX-X1	
CODE IDENT. NO.		DWG APPD A.GREEN		NOV11/04		SCALE 3:1	
						SHEET 1 OF 2	

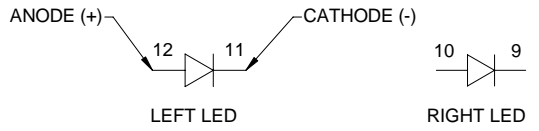
DO NOT SCALE DRAWING  
THIS DOCUMENT CONTAINS PROPRIETARY INFORMATION AND SUCH INFORMATION MAY NOT BE DISCLOSED TO OTHERS FOR ANY PURPOSE OR USED FOR MANUFACTURING PURPOSES WITHOUT PERMISSION FROM AMPHENOL CANADA CORP.

REVISIONS			
REV	DESCRIPTION	DATE	APPRD
K	PRODUCT DRAWING (EAR 13638)	DEC 09/09	KL

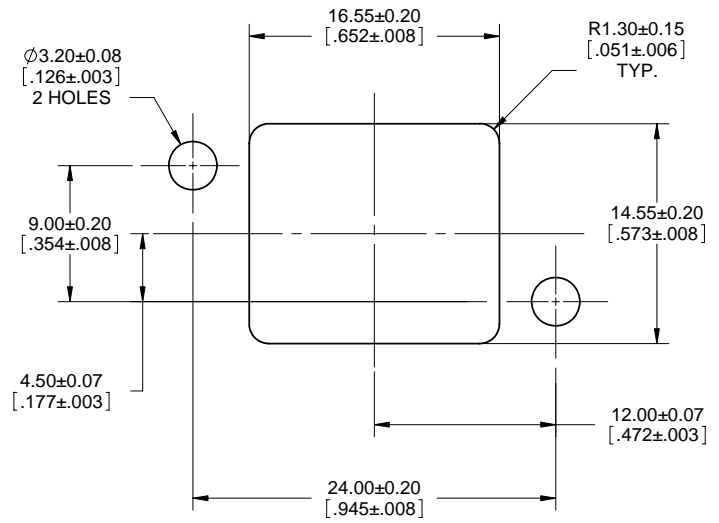
**RECOMMENDED P.C.B. LAYOUT**  
(COMPONENT SIDE OF BOARD)



LOCATE HOLES  
Ø 0.13 [.005] DIA  
POSITION DIMENSIONS ARE BASIC

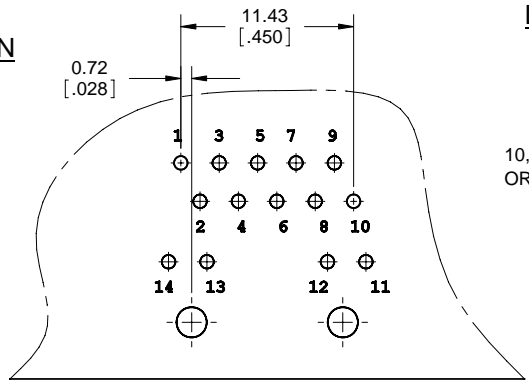


**8 POSITION LED SCHEMATIC**  
(GREEN OR YELLOW)

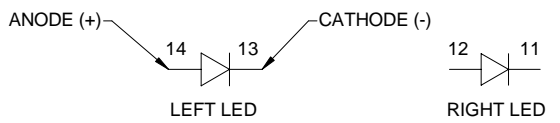
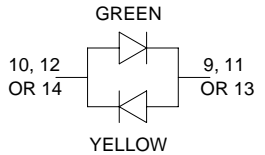


**RECOMMENDED PANEL CUTOUT**  
(FRONT OF PANEL)

**10 POSITION VIEW**



**BI-COLOUR LED SCHEMATIC**  
(LEFT OR RIGHT SIDE, 8 OR 10 POSITION)



**10 POSITION LED SCHEMATIC**  
(GREEN OR YELLOW)



DO NOT SCALE DRAWING  
THIS DOCUMENT CONTAINS PROPRIETARY INFORMATION AND SUCH INFORMATION MAY NOT BE DISCLOSED TO OTHERS FOR ANY PURPOSE OR USED FOR MANUFACTURING PURPOSES WITHOUT PERMISSION FROM AMPHENOL CANADA CORP.

UNLESS OTHERWISE SPECIFIED DIMENSIONS ARE IN MILLIMETERS TOLERANCES ARE		APPROVALS		DATE		<b>Amphenol Canada Corp.</b> TITLE: MRJ SERIES RUGGED MODULAR JACK 8 & 10 POSITION RIGHT ANGLE WITH LED, TAIL LENGTH & THREAD OPTIONS, RoHS COMPLIANT		
DECIMALS .XX ± 0.15	ANGLES ±	DRAWN S.SEMENOV	NOV11/04	SIZE C				DWG. NO. P-MRJ-53XX-X1
MATERIAL AND FINISH	CHECKED	DESIGNED S.SEMENOV	NOV11/04	SCALE 3:1				PROJECT
REF.	EAPPRD	QA APPD		SHEET				REV. K
CODE IDENT. NO.	DWG APPD A.G.GREEN	NOV11/04		SHEET 2 OF 2				