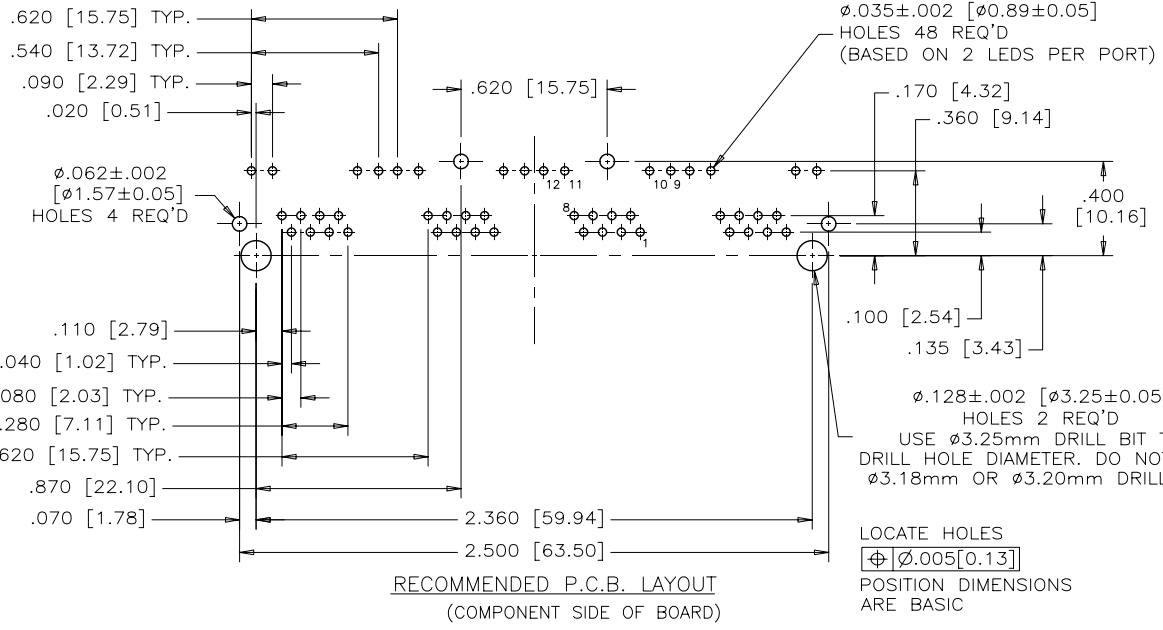
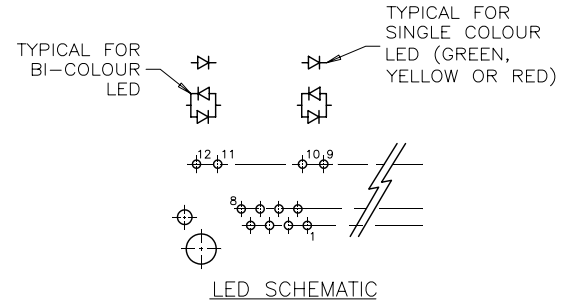
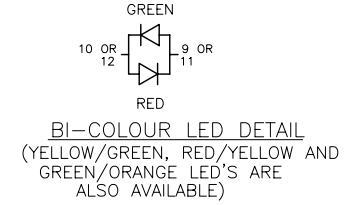
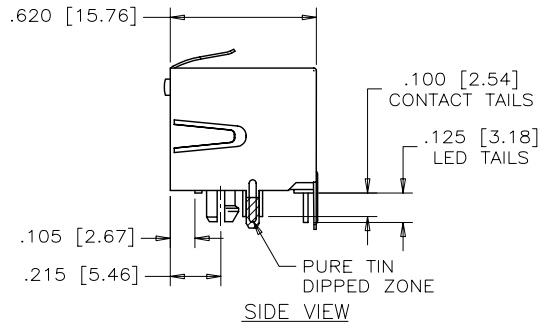
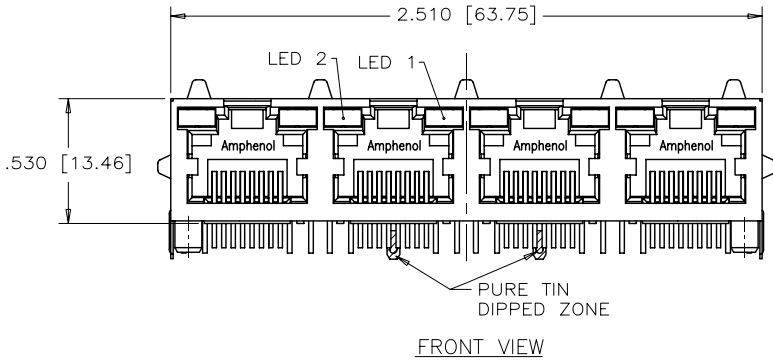


REVISIONS				
SYM	ZONE	ECN, ERN NO.	DATE	APPRD.
D		PROPOSAL	APR14/06	L.CHAN
E		PROPOSAL	JULY 10,08	L.CHAN



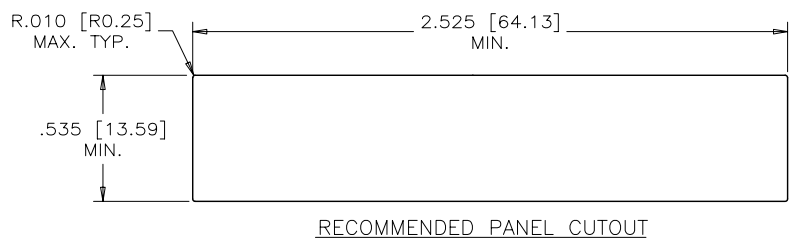
MATERIALS:
 PLASTIC HOUSING: HIGH TEMPERATURE THERMOPLASTIC
 FLAMMABILITY RATING UL 94V-0
 COLOR:BLACK

CONTACTS: PHOSPHOR BRONZE
 PLATING: 50 µ" [1.27 MICRONS]
 MIN. GOLD ON MATING SURFACES.
 50 µ" [1.27 MICRONS]
 MIN. NICKEL UNDERPLATE
 100 µ" [2.54 MICRONS]
 MIN. MATTE TIN ON CONTACT TAILS.

SHIELD: COPPER ALLOY
 PLATING: NICKEL WITH PURE-TIN DIPPED PCB TAILS.

RECOMMENDED SOLDERING TEMPERATURE:
 WAVE SOLDERING AT 260°C MAXIMUM FOR 5 SEC MAXIMUM.

LOCATE HOLES
 $\text{⊕} \text{Ø}.005 [0.13]$
 POSITION DIMENSIONS ARE BASIC



PART NUMBER: RJHSE-538X-04
 REFER TO LED OPTIONS DRAWING FOR ORDERING CODES

THIS DOCUMENT CONTAINS PROPRIETARY INFORMATION AND SUCH INFORMATION MAY NOT BE DISCLOSED TO OTHERS FOR ANY PURPOSE OR USED FOR MANUFACTURING PURPOSES WITHOUT WRITTEN PERMISSION FROM AMPHENOL CANADA CORP.

DRAWN PAULW	DATE APR14/06	Amphenol Canada Corp.		
DESIGNED				
CHECKED CHIGOW	DATE APR14/06	TITLE		
I. E. APPRD.		4 PORT, HIGH SPEED, MODULAR JACK, 8 POSITION, 8 CONTACTS, SHIELDED WITH LED'S - RoHS COMPLIANT		
Q. A. APPRD.		DWG	DRAWING NO.	REV.
DWG. APPRD.			P-RJHSE-538X-04	E
ENG. REL. NO.		DIMENSIONS ARE IN	CODE ID. NO.	
REF.		INCHES [mm]	03554	
		SCALE	WT.	SURF.
				SHEET 1 OF 1