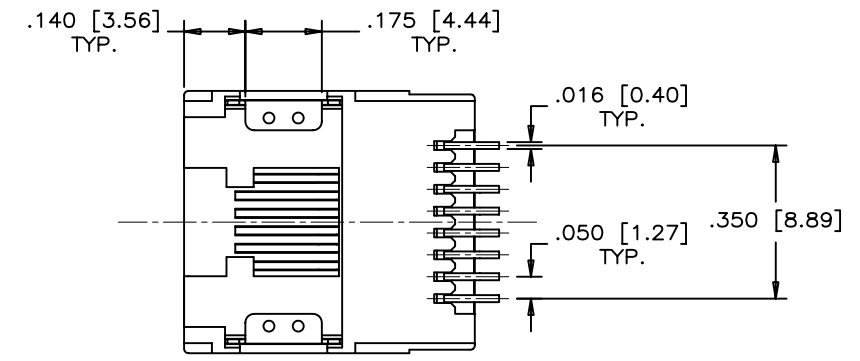
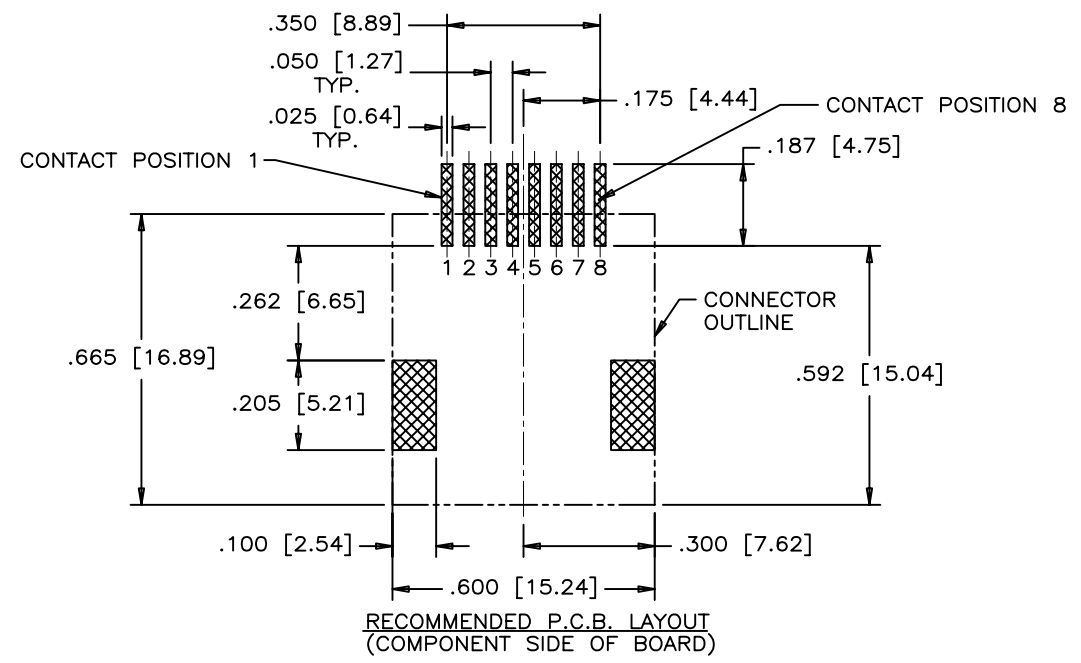
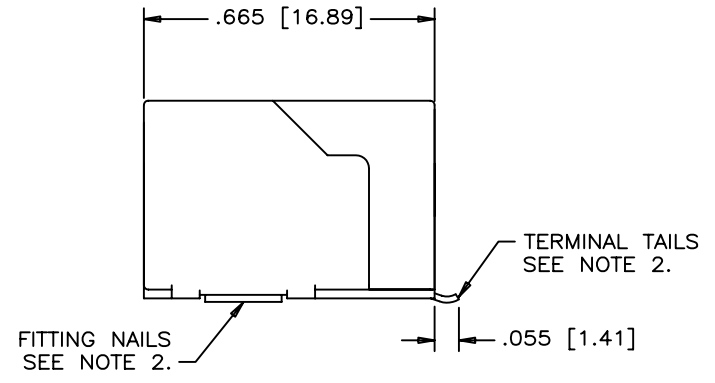
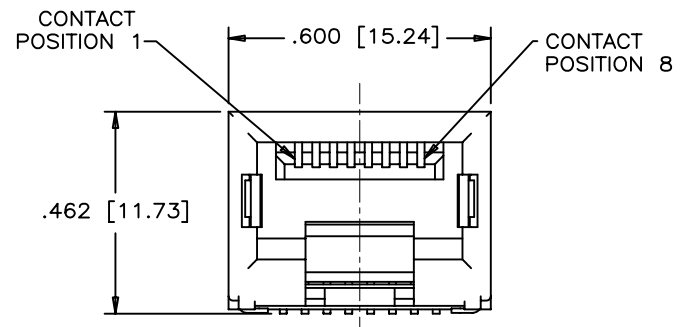


REVISIONS				
SYM	ZONE	ECN, ERN NO.	DATE	APPRD.
A		PROPOSAL DRAWING	JULY 20/05	L.CHAN



NOTES:

1. MATERIALS:

HOUSING: HIGH TEMPERATURE RESISTANT NYLON.  
 FLAMMABILITY RATING UL 94V-0  
 COLOUR: SEE AMPHENOL PART NUMBER SYSTEM FOR HOUSING OPTIONS

CONTACTS: PHOSPHOR BRONZE  
 PLATING: GOLD PLATING: SEE AMPHENOL PART NUMBER SYSTEM FOR PLATING OPTIONS.  
 50 MICRO" [1.27 MICRONS] MIN. NICKEL UNDERPLATE.  
 100 MICRO" [2.54 MICRONS] MIN. MATTE TIN ON CONTACT TAILS.

2. COPLANARITY SPECIFICATION:

WITH THE MODULAR JACK SITTING ON A LEVEL SURFACE, THE MAXIMUM GAP BETWEEN THE LEVEL SURFACE AND ALL TERMINAL TAILS AND BOTH FITTING NAILS IS .004 [0.10].

AMPHENOL PART NO.: R J L S E - 4 X 0 X X - 0 1 X

- GOLD PLATING
- 0 = GOLD FLASH
- 1 = 15 MICRO" GOLD PLATING
- 2 = 30 MICRO" GOLD PLATING
- 3 = 50 MICRO" GOLD PLATING
- NUMBER OF CONTACTS
- 2 = 2 CONTACTS 4 & 5
- 4 = 4 CONTACTS 3 TO 6
- 6 = 6 CONTACTS 2 TO 7
- 8 = 8 CONTACTS 1 TO 8
- PACKAGING
- BLANK = TRAY
- T = TAPE AND REEL
- HOUSING OPTION
- 1 = BLACK HOUSING
- 2 = YELLOW HOUSING
- 3 = RED HOUSING

THIS DOCUMENT CONTAINS PROPRIETARY INFORMATION AND SUCH INFORMATION MAY NOT BE DISCLOSED TO OTHERS FOR ANY PURPOSE OR USED FOR MANUFACTURING PURPOSES WITHOUT WRITTEN PERMISSION FROM AMPHENOL CANADA CORP.

DRAWN	PWANG	DATE	JULY.20/05	Amphenol Canada Corp.	
DESIGNED					
CHECKED	TERRY	DATE	JULY.20/05	TITLE SURFACE MOUNT MODULAR JACK	
I. E. APPRD.				8 POSITION, CONTACT OPTIONS, WITHOUT SHIELD,	
Q. A. APPRD.				WITH GOLD PLATING AND PACKAGING OPTIONS	
DWG. APPRD.				- RoHS COMPLIANT	
ENG. REL. NO.		DWG	DRAWING NO.	P-RJLSE-4X0XX-01X	REV. A
REF.	EAR # 12798				
DIMENSIONS ARE IN	CODE ID. NO.	SCALE	WT.	SURF.	SHEET 1 OF 1
INCHES [mm]	03554				