

MATERIAL (RoHS COMPLIANT)

CAGE:
COPPER ALLOY

PLATING OPTION 1:
100u" [2.54 um] MIN BRIGHT TIN
PLATING OVER 50 u" [1.27 um]
MIN NICKEL UNDERPLATE

PLATING OPTION 2:
150 u" [3.81um] MIN NICKEL
PLATING (NOT FOR SOLDER PINS.)

PLATING OPTION 3:
100u" [2.54 um] MIN MATTIE TIN
PLATING OVER 50 u" [1.27 um]
MIN NICKEL UNDERPLATE

DUST COVER:
THERMOPLASTIC, COLOR BLACK

PACKAGING:
TRAY PACKAGING

TEMPERATURE RANGE:
-40 C TO 85 C

P/N U77-A2110-XD0X SHOWN

OPTIONAL DUST COVER (SHIP LOOSE)
P/N U77-1110-8000

P/N U77-A4110-XD0X SHOWN

P/N U77-A6110-XD0X SHOWN

REVISIONS

REV.	ECN	DESCRIPTION	DATE	APPROVED
C		PROPOSAL	01/05/2006	A.G.
D		UPDATED	JUL7/09	A.G.
E		CORRECT PLATING OPTIONS	DEC20/10	A.G.

LAST DIGIT INDICATING PACKAGING TYPE, NOT PRINTED ON THE PART

PART NUMBER

DATE CODE

AMPHENOL PART NUMBER CONFIGURATION

U77-AX11X-XX0X

SFP CAGE

STYLE ONE ROW

NUMBER OF PORTS
2 = 2 PORTS
4 = 4 PORTS
6 = 6 PORTS

CHASSIS GROUNDING TAB GROUNDING

HEATSINK OPTION NO HEATSINK

PACKAGING
1 = TRAY PACKAGING
T = TAPE AND REEL PACKAGING

OPTION 1 STANDARD

OPTIONAL DUST COVER
0 = WITHOUT DUST COVER
D = WITH DUST COVER (SHIP LOOSE)

PLATING
1 = BRIGHT TIN
2 = NICKEL
3 = MATTIE TIN

MOUNTING
0 = STANDARD
4 = REAR PRESS-FIT PINS

DO NOT SCALE DRAWING

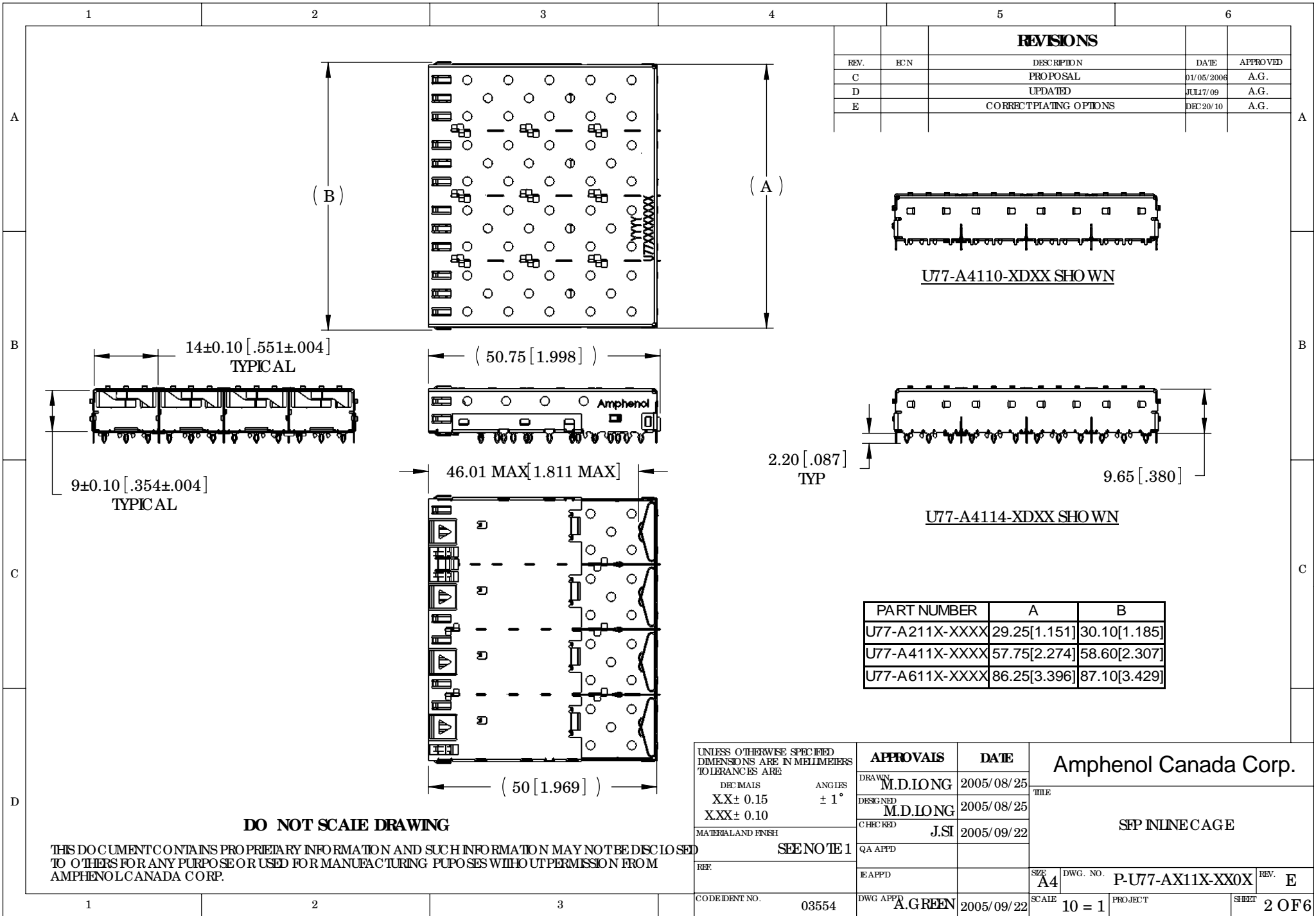
THIS DOCUMENT CONTAINS PROPRIETARY INFORMATION AND SUCH INFORMATION MAY NOT BE DISCLOSED TO OTHERS FOR ANY PURPOSE OR USED FOR MANUFACTURING PURPOSES WITHOUT PERMISSION FROM AMPHENOL CANADA CORP.

UNLESS OTHERWISE SPECIFIED DIMENSIONS ARE IN MILLIMETERS TOLERANCES ARE:		APPROVALS	DATE
DECIMALS	ANGLES	DRAWN	M.D.LONG 2005/08/25
XX ± 0.15	± 1°	DESIGNED	M.D.LONG 2005/08/25
XX ± 0.10		CHECKED	J.SI 2005/09/22
MATERIAL AND FINISH		QA APPD	
REF.		EA APPD	
CODE IDENT NO.	03554	DWG APPD	A.GREEN 2005/09/22

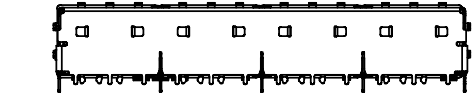
Amphenol Canada Corp.

TITLE
SFP INLINE CAGE

SIZE	A4	DWG. NO.	P-U77-AX11X-XX0X	REV.	E
SCALE	10 = 1	PROJECT		SHEET	1 OF 6



REVISIONS				
REV.	ECN	DESCRIPTION	DATE	APPROVED
C		PROPOSAL	01/05/2006	A.G.
D		UPDATED	JUL17/09	A.G.
E		CORRECT PLATING OPTIONS	DEC20/10	A.G.



U77-A4110-XDXX SHOWN



U77-A4114-XDXX SHOWN

PART NUMBER	A	B
U77-A211X-XXXX	29.25[1.151]	30.10[1.185]
U77-A411X-XXXX	57.75[2.274]	58.60[2.307]
U77-A611X-XXXX	86.25[3.396]	87.10[3.429]

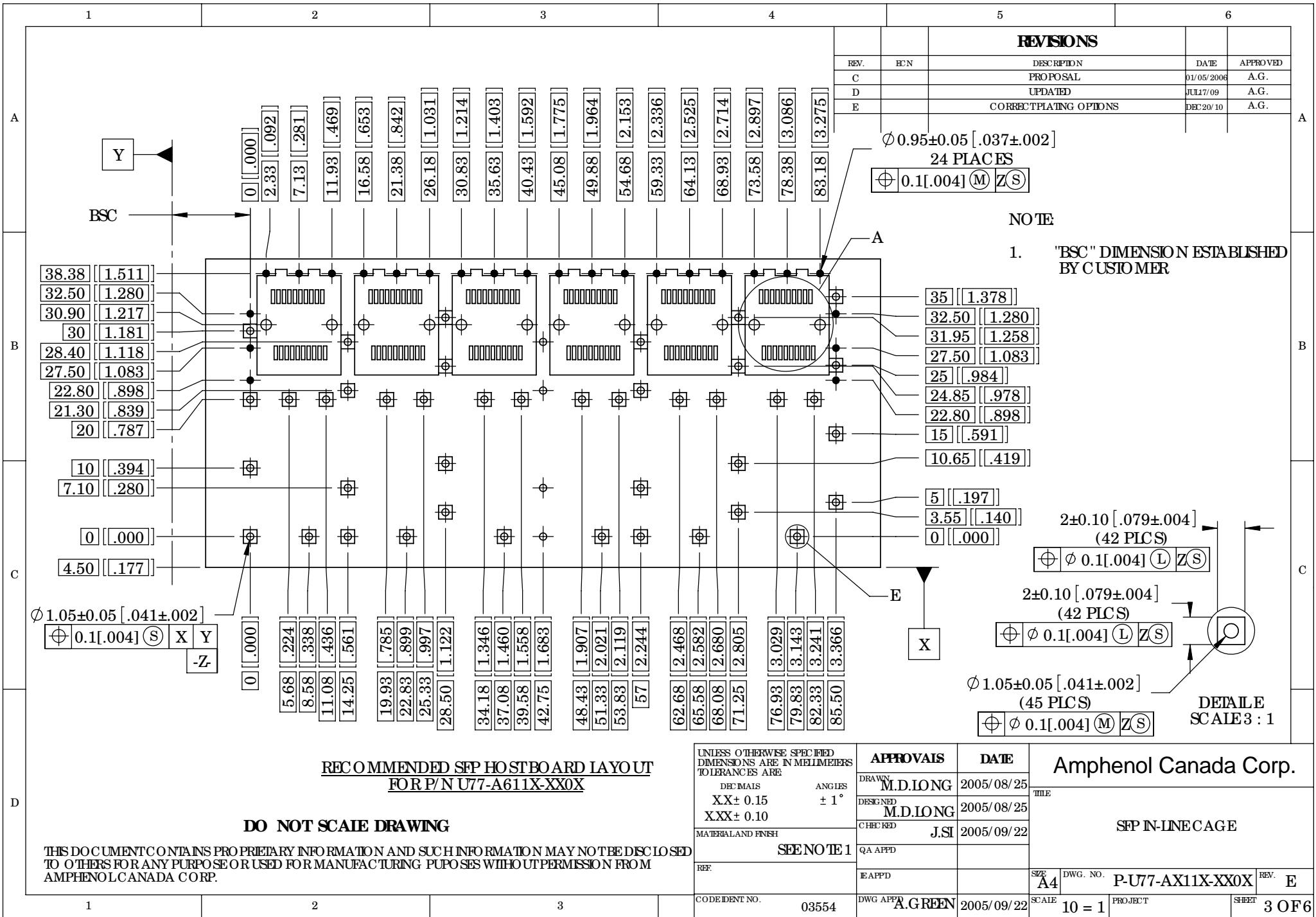
UNLESS OTHERWISE SPECIFIED DIMENSIONS ARE IN MILLIMETERS TO TOLERANCES ARE		APPROVALS	DATE
DECIMALS	ANGLES	DRAWN	
XX± 0.15	± 1°	M.D.LONG	2005/08/25
XX± 0.10		DESIGNED	
		M.D.LONG	2005/08/25
MATERIAL AND FINISH		CHECKED	
		J.SI	2005/09/22
REF.		QA APPD	
		IE APPD	
CODE IDENT NO.	03554	DWG APPD	
		A.GREEN	2005/09/22

Amphenol Canada Corp.			
SFP INLINE CAGE			
SIZE	DWG. NO.	REV.	
A4	P-U77-AX11X-XX0X	E	
SCALE	PROJECT	SHEET	
10 = 1		2 OF 6	

DO NOT SCALE DRAWING

THIS DOCUMENT CONTAINS PROPRIETARY INFORMATION AND SUCH INFORMATION MAY NOT BE DISCLOSED TO OTHERS FOR ANY PURPOSE OR USED FOR MANUFACTURING PURPOSES WITHOUT PERMISSION FROM AMPHENOL CANADA CORP.

SEE NOTE 1



REVISIONS				
REV.	ECN	DESCRIPTION	DATE	APPROVED
C		PROPOSAL	01/05/2006	A.G.
D		UPDATED	JUL17/09	A.G.
E		CORRECT PLATING OPTIONS	DEC20/10	A.G.

$\varnothing 0.95 \pm 0.05 [.037 \pm .002]$

24 PLACES

$\varnothing 0.1 [.004] (M) Z(S)$

NOTE:

- "BSC" DIMENSION ESTABLISHED BY CUSTOMER

35 [1.378]
 32.50 [1.280]
 31.95 [1.258]
 27.50 [1.083]
 25 [.984]
 24.85 [.978]
 22.80 [.898]
 15 [.591]
 10.65 [.419]
 5 [.197]
 3.55 [.140]
 0 [.000]

$2 \pm 0.10 [.079 \pm .004]$
 (42 PLCS)

$\varnothing 0.1 [.004] (L) Z(S)$

$2 \pm 0.10 [.079 \pm .004]$
 (42 PLCS)

$\varnothing 0.1 [.004] (L) Z(S)$

$\varnothing 1.05 \pm 0.05 [.041 \pm .002]$
 (45 PLCS)

$\varnothing 0.1 [.004] (M) Z(S)$

DETAILS
 SCALE 3:1

**RECOMMENDED SFP HOST BOARD LAYOUT
 FOR P/N U77-A611X-XX0X**

DO NOT SCALE DRAWING

THIS DOCUMENT CONTAINS PROPRIETARY INFORMATION AND SUCH INFORMATION MAY NOT BE DISCLOSED TO OTHERS FOR ANY PURPOSE OR USED FOR MANUFACTURING PURPOSES WITHOUT PERMISSION FROM AMPHENOL CANADA CORP.

UNLESS OTHERWISE SPECIFIED
 DIMENSIONS ARE IN MILLIMETERS
 TOLERANCES ARE:

DECIMALS ANGLES
 XX ± 0.15 ± 1°
 XXX ± 0.10

MATERIAL AND FINISH

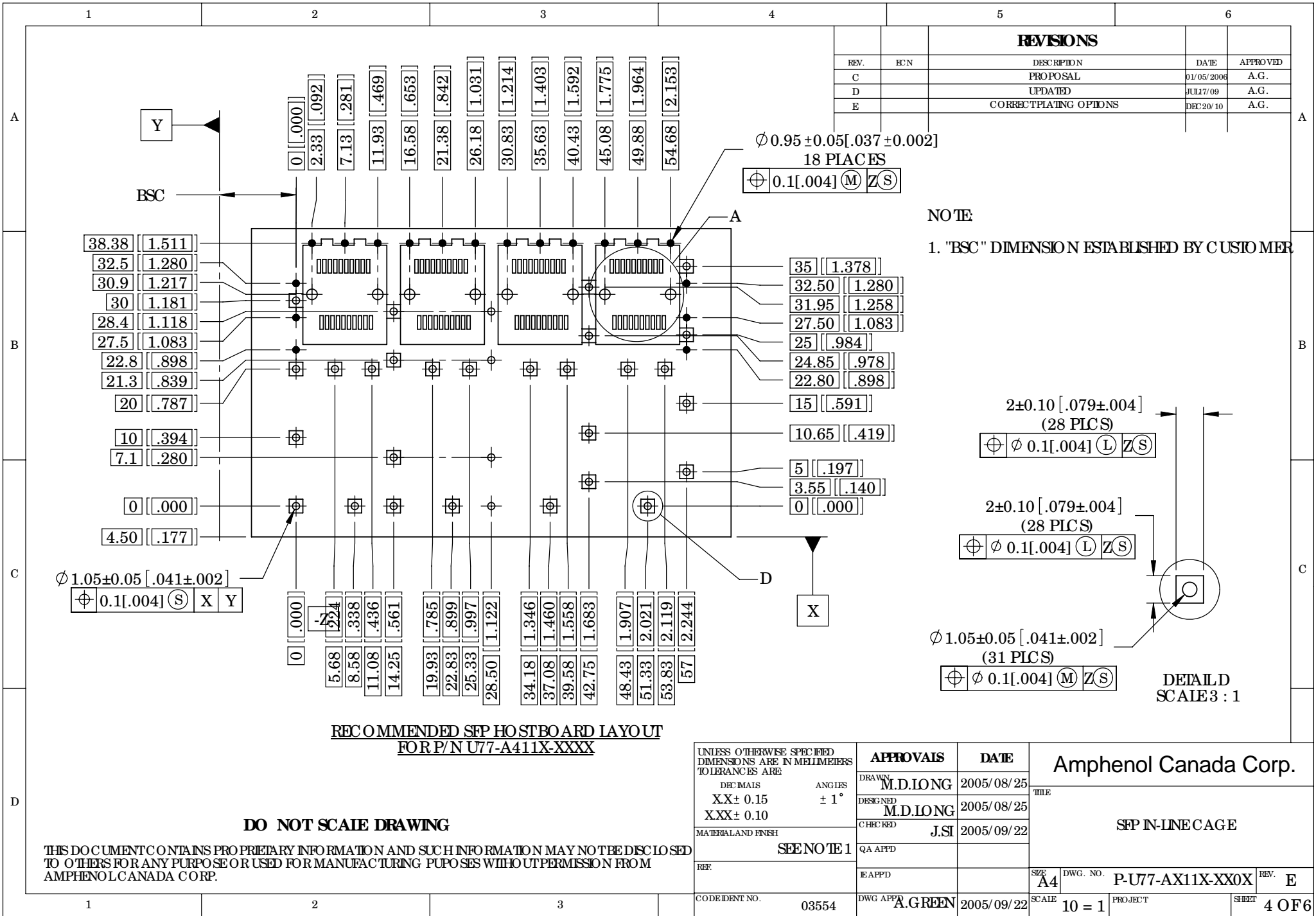
SEE NOTE 1

REF.

CODE IDENT NO. 03554

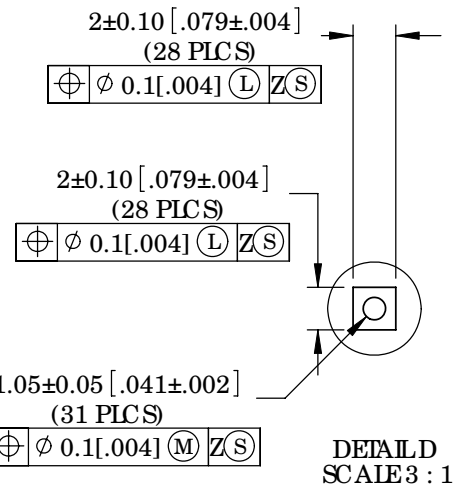
APPROVALS	DATE
DRAWN M.D.LONG	2005/08/25
DESIGNED M.D.LONG	2005/08/25
CHECKED J.SI	2005/09/22
QA APPD	
IE APPD	
DWG APPD A.GREEN	2005/09/22

Amphenol Canada Corp.			
TITLE			
SFP IN-LINE CAGE			
SIZE A4	DWG. NO. P-U77-AX11X-XX0X	REV. E	
SCALE 10 = 1	PROJECT	SHEET 3 OF 6	



REVISIONS				
REV.	ECN	DESCRIPTION	DATE	APPROVED
C		PROPOSAL	01/05/2006	A.G.
D		UPDATED	JUL17/09	A.G.
E		CORRECT PLATING OPTIONS	DEC20/10	A.G.

NOTE
1. "BSC" DIMENSION ESTABLISHED BY CUSTOMER

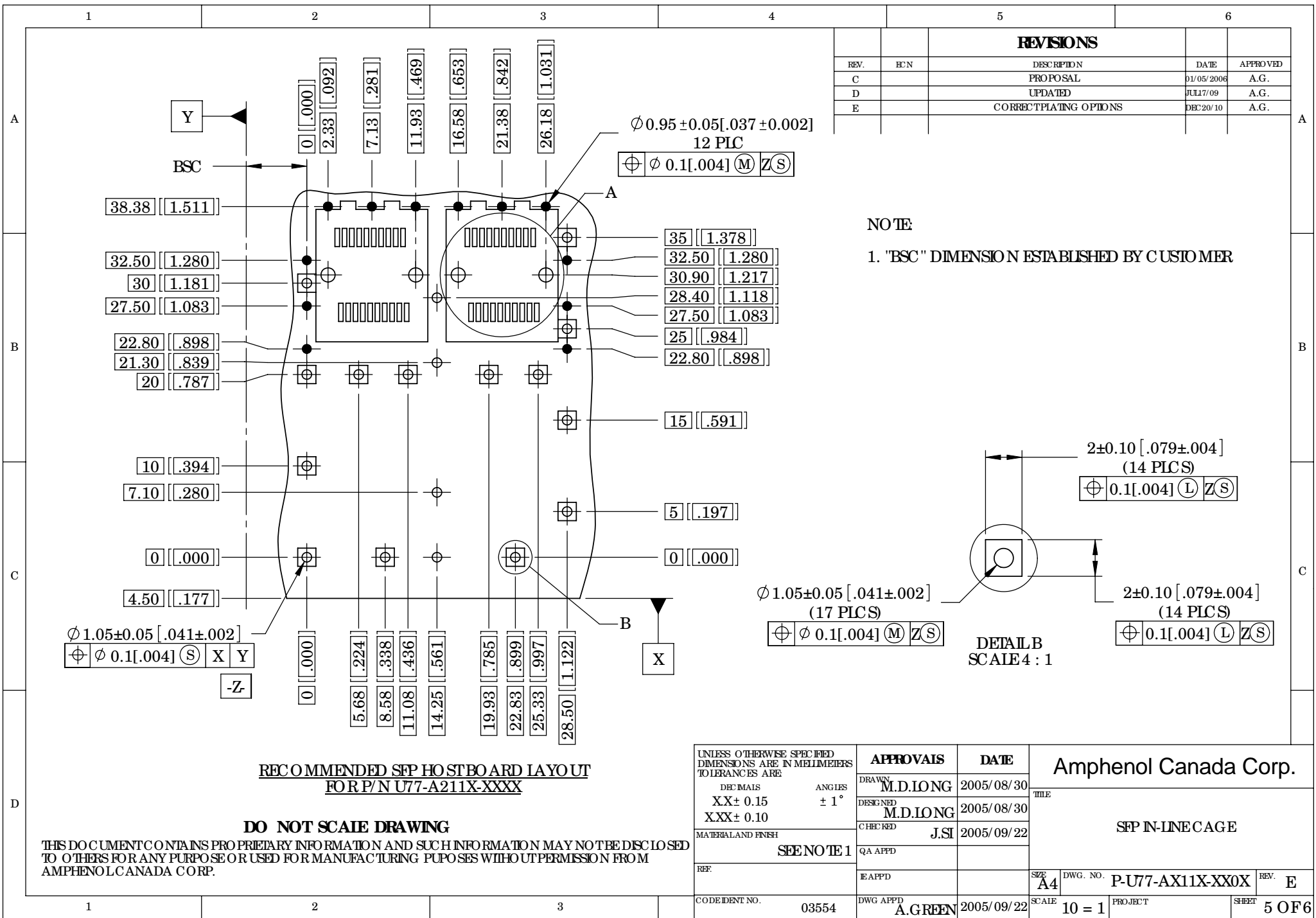


**RECOMMENDED SFP HOSTBOARD LAYOUT
FOR P/N U77-A411X-XXXX**

DO NOT SCALE DRAWING

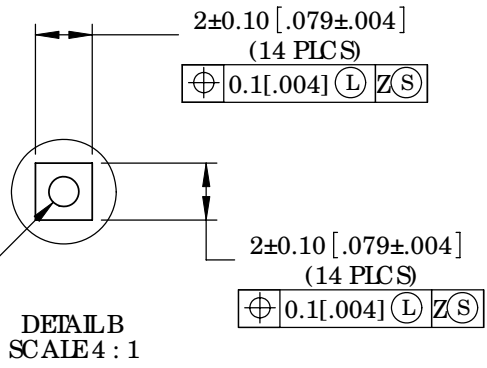
THIS DOCUMENT CONTAINS PROPRIETARY INFORMATION AND SUCH INFORMATION MAY NOT BE DISCLOSED TO OTHERS FOR ANY PURPOSE OR USED FOR MANUFACTURING PURPOSES WITHOUT PERMISSION FROM AMPHENOL CANADA CORP.

UNLESS OTHERWISE SPECIFIED DIMENSIONS ARE IN MILLIMETERS TOLERANCES ARE:		APPROVALS		DATE		Amphenol Canada Corp.	
DECIMALS	ANGLES	DRAWN	M.D.LONG	2005/08/25	TITLE		
XX ± 0.15	± 1°	DESIGNED	M.D.LONG	2005/08/25	SFP IN-LINE CAGE		
XXX ± 0.10		CHECKED	J.SI	2005/09/22			
MATERIAL AND FINISH		QA APPD				SIZE A4 DWG. NO. P-U77-AX11X-XX0X REV. E	
REF.		E APPD				SCALE 10 = 1 PROJECT SHEET 4 OF 6	
CODE IDENT NO. 03554		DWG APPD A.GREEN		2005/09/22			



REVISIONS				
REV.	ECN	DESCRIPTION	DATE	APPROVED
C		PROPOSAL	01/05/2006	A.G.
D		UPDATED	JUL17/09	A.G.
E		CORRECT PLATING OPTIONS	DEC20/10	A.G.

NOTE
1. "BSC" DIMENSION ESTABLISHED BY CUSTOMER

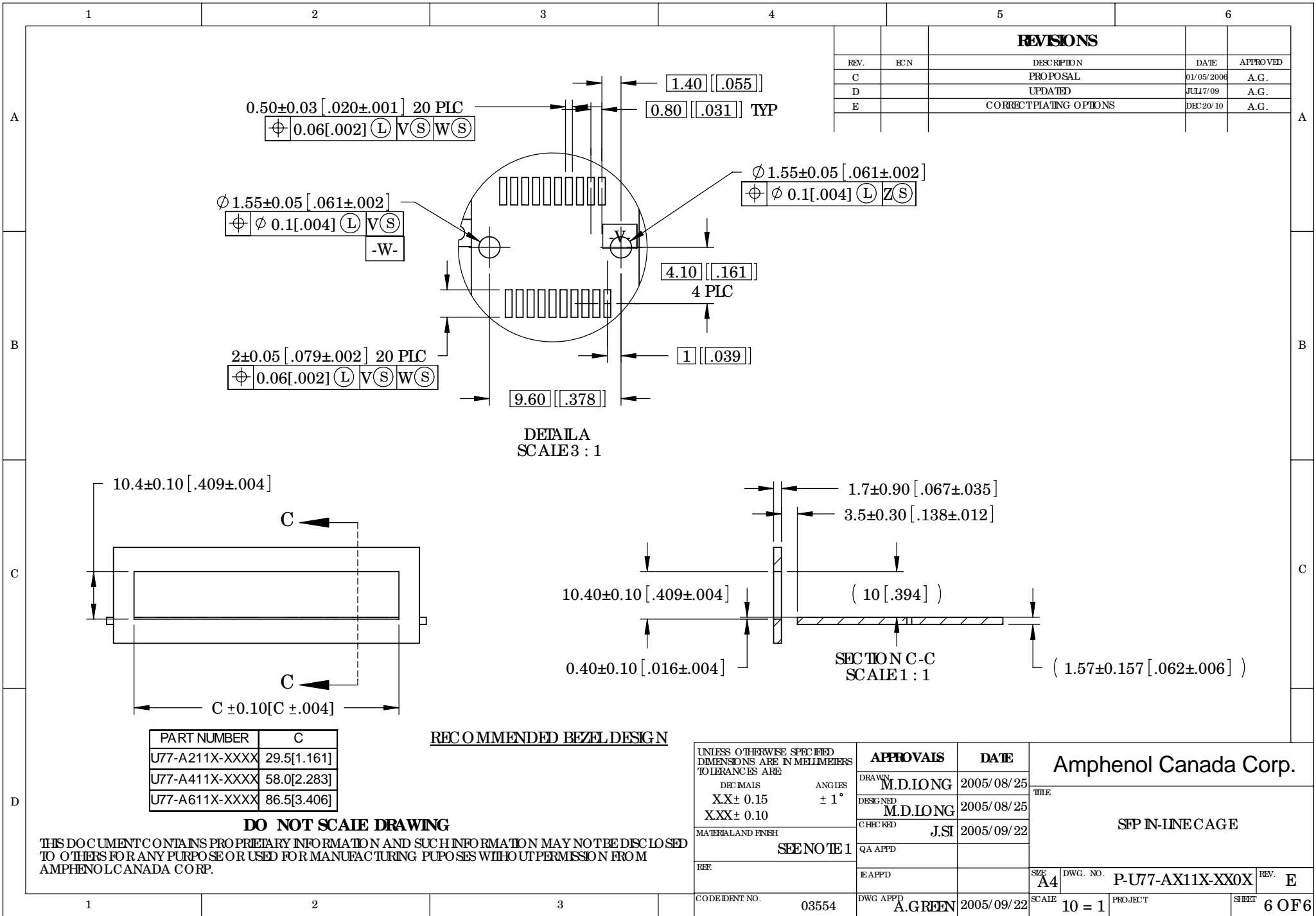


**RECOMMENDED SFP HOST BOARD LAYOUT
FOR P/N U77-A211X-XXXX**

DO NOT SCALE DRAWING

THIS DOCUMENT CONTAINS PROPRIETARY INFORMATION AND SUCH INFORMATION MAY NOT BE DISCLOSED TO OTHERS FOR ANY PURPOSE OR USED FOR MANUFACTURING PURPOSES WITHOUT PERMISSION FROM AMPHENOL CANADA CORP.

UNLESS OTHERWISE SPECIFIED DIMENSIONS ARE IN MILLIMETERS TOLERANCES ARE:		APPROVALS		DATE		Amphenol Canada Corp.	
DECIMALS	ANGLES	DRAWN	M.D.LONG	2005/08/30	TITLE		
XX± 0.15	± 1°	DESIGNED	M.D.LONG	2005/08/30	SFP IN-LINE CAGE		
XX± 0.10		CHECKED	J.SI	2005/09/22			
MATERIAL AND FINISH		QA APPD				SIZE	
SEE NOTE 1						A4 DWG. NO. P-U77-AX11X-XX0X	
REF.		E APPD				SCALE	
						10 = 1	
CODE IDENT NO.		DWG APPD		2005/09/22		PROJECT	
03554		A.GREEN				SHEET	
						5 OF 6	



REVISIONS				
REV.	ECN	DESCRIPTION	DATE	APPROVED
C		PROPOSAL	01/05/2006	A.G.
D		UPDATED	JUL17/09	A.G.
E		CORRECT PLATING OPTIONS	DEC20/10	A.G.

DETAIL A
SCALE 3 : 1

SECTION C-C
SCALE 1 : 1

RECOMMENDED BEZEL DESIGN

PART NUMBER	C
U77-A211X-XXXX	29.5[1.161]
U77-A411X-XXXX	58.0[2.283]
U77-A611X-XXXX	86.5[3.406]

DO NOT SCALE DRAWING

THIS DOCUMENT CONTAINS PROPRIETARY INFORMATION AND SUCH INFORMATION MAY NOT BE DISCLOSED TO OTHERS FOR ANY PURPOSE OR USED FOR MANUFACTURING PURPOSES WITHOUT PERMISSION FROM AMPHENOL CANADA CORP.

UNLESS OTHERWISE SPECIFIED DIMENSIONS ARE IN MILLIMETERS TOLERANCES ARE: DECIMALS ANGLES XX± 0.15 ± 1° XXX± 0.10	APPROVALS	DATE	Amphenol Canada Corp. SFP IN-LINE CAGE
	DRAWN M.D.LONG	2005/08/25	
	DESIGNED M.D.LONG	2005/08/25	
	CHECKED J.SI	2005/09/22	
MATERIAL AND FINISH	QA APPD		
SEE NOTE 1	EA APPD		
REF.	EA APPD		
CODE IDENT NO. 03554	DWG APPD A.GREEN	2005/09/22	SIZE A4 DWG. NO. P-U77-AX11X-XX0X REV. E SCALE 10 = 1 PROJECT SHEET 6 OF 6