



# 1.27\*1.27mm Pin Header Stack Right Angle Type

## MATERIAL

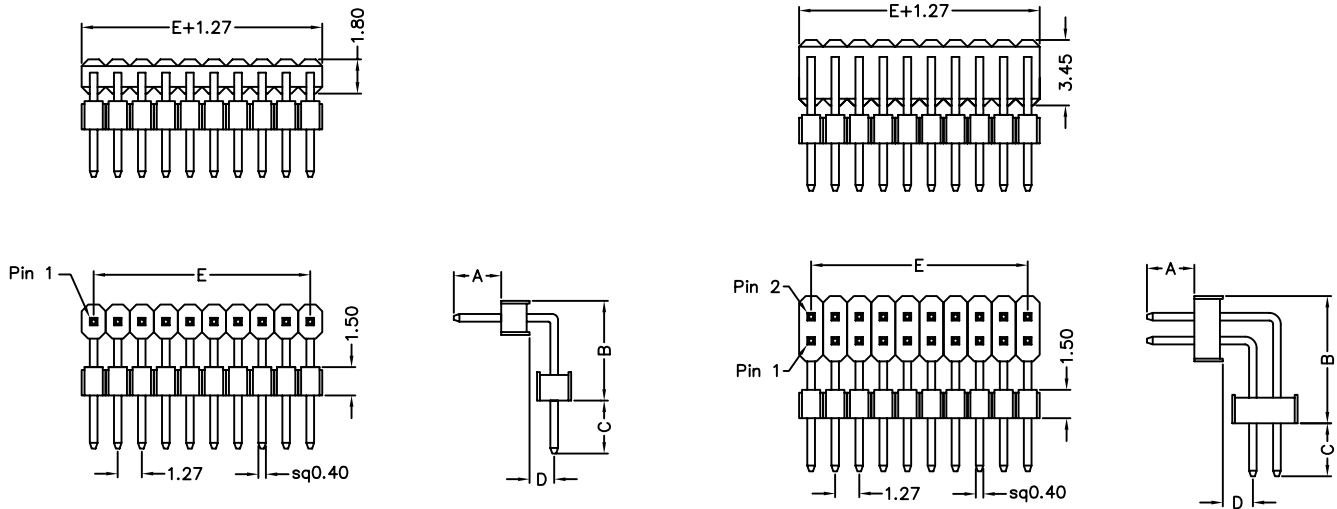
Insulator : High Temperature Polyester  
Contact Pin : Brass

## SPECIFICATION

Current Rate : 1 AMP  
Insulation Resistance : 5000MΩMin. at DC 500V  
Contact Resistance : 20mΩMax. at DC 100mA  
Operation Temperature : -55°C to + 105°C



## Detail Dimensions



## Recommended P.C.B Layout



## Order Information

238-x x - xx G B xx  
1 2 3 4 5

- 1. 7: Green Product
- 9: Green Product High Temp
- 2. 1: Single row Plastic Height=1.0mm
- 2: Dual rows Plastic Height=1.0mm
- 6: Single row Plastic Height=1.5mm
- 7: Dual rows Plastic Height=1.5mm
- C: Single row Plastic Height=1.7mm
- B: Dual rows Plastic Height=2.5mm
- 3. No. of contacts per row
- 4. G: Gold Flash
- S: Selective Gold Plating
- 5. Pinrex internal code

If you need other dimensions, please fill out DIM A/B/C/D and contact our sales representatives.

| DIM A | DIM B | DIM C | DIM D |
|-------|-------|-------|-------|
|       |       |       |       |

## Number Of Contacts

Unit: mm

| Poles | DIM E | Poles | DIM E | Poles | DIM E | Poles | DIM E | Poles | DIM E | Poles | DIM E | Poles | DIM E | Poles | DIM E |
|-------|-------|-------|-------|-------|-------|-------|-------|-------|-------|-------|-------|-------|-------|-------|-------|
|       |       | 8     | 8.89  | 15    | 17.78 | 22    | 26.67 | 29    | 35.56 | 36    | 44.45 | 43    | 53.34 | 50    | 62.23 |
| 2     | 1.27  | 9     | 10.16 | 16    | 19.05 | 23    | 27.94 | 30    | 36.83 | 37    | 45.72 | 44    | 54.61 |       |       |
| 3     | 2.54  | 10    | 11.43 | 17    | 20.32 | 24    | 29.21 | 31    | 38.10 | 38    | 46.99 | 45    | 55.88 |       |       |
| 4     | 3.81  | 11    | 12.70 | 18    | 21.59 | 25    | 30.48 | 32    | 39.37 | 39    | 48.26 | 46    | 57.15 |       |       |
| 5     | 5.08  | 12    | 13.97 | 19    | 22.86 | 26    | 31.75 | 33    | 40.64 | 40    | 49.53 | 47    | 58.42 |       |       |
| 6     | 6.35  | 13    | 15.24 | 20    | 24.13 | 27    | 33.02 | 34    | 41.91 | 41    | 50.80 | 48    | 59.69 |       |       |
| 7     | 7.62  | 14    | 16.51 | 21    | 25.40 | 28    | 34.29 | 35    | 43.18 | 42    | 52.07 | 49    | 60.96 |       |       |