



1.27x2.54mm Female Header Straight Type H=4.6mm

MATERIAL

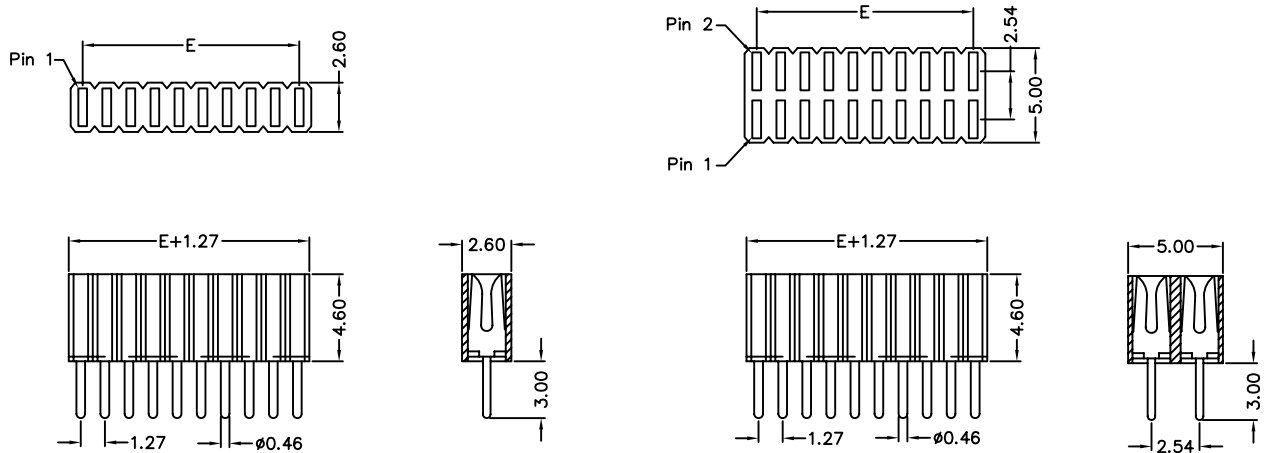
Insulator : High Temperature Polyester
Contact Pin : Phosphor Bronze

SPECIFICATION

Current Rate : 1 AMP
Insulation Resistance : 5000MΩMin. at DC 500V
Contact Resistance : 20mΩMax. at DC 100mA
Operation Temperature : -40°C to + 105°C



Detail Dimensions



Recommended P.C.B Layout



Order Information

640-xx - xx G B xx
1 2 3 4

- 1. 7: Green Product
- 9: Green Product High Temp
- 2. 1: Single row
- 2: Double rows
- 3. No. of contacts per row
- 4. Pinrex internal code

Standard Parts
640-x1-xxGB00
640-x2-xxGB00

Number Of Contacts

Unit: mm

Poles	DIM E	Poles	DIM E	Poles	DIM E	Poles	DIM E	Poles	DIM E	Poles	DIM E	Poles	DIM E	Poles	DIM E
		8	8.89	15	17.78	22	26.67	29	35.56	36	44.45	43	53.34	50	62.23
3	2.54	10	11.43	17	20.32	24	29.21	31	38.10	38	46.99	45	55.88		
4	3.81	11	12.70	18	21.59	25	30.48	32	39.37	39	48.26	46	57.15		
5	5.08	12	13.97	19	22.86	26	31.75	33	40.64	40	49.53	47	58.42		
6	6.35	13	15.24	20	24.13	27	33.02	34	41.91	41	50.80	48	59.69		
7	7.62	14	16.51	21	25.40	28	34.29	35	43.18	42	52.07	49	60.96		