



# 1.27mm Mini Jumper

## MATERIAL

Insulator : Polyester  
Contact Pin : Phosphor Bronze

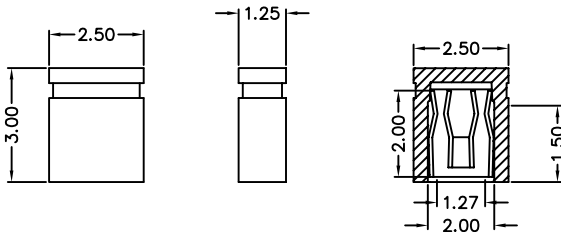
## SPECIFICATION

Current Rate : 1 AMP  
Insulation Resistance : 1000MΩMin.  
Contact Resistance : 30mΩMax.  
Operation Temperature : -55°C to +105°C

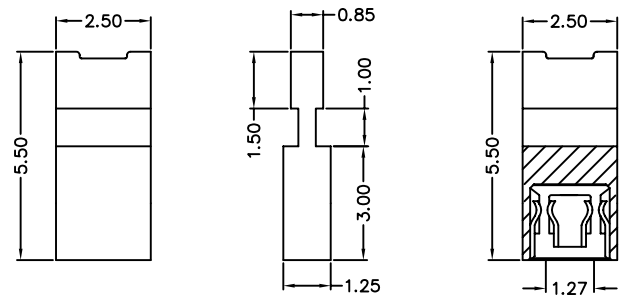


## Detail Dimensions

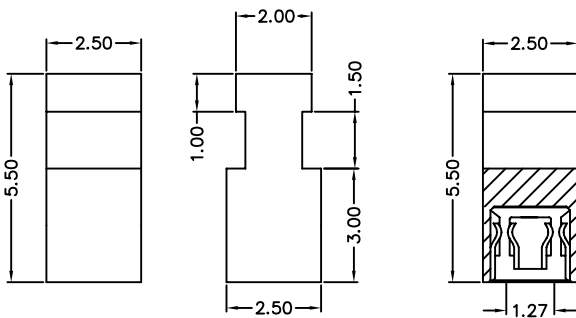
200-73-PCGB00



200-73-PAGB00



203-72-PAGB00



## Order Information

200-73 - P x G B xx  
1 2 3 4

1. 0: Single port
2. A: With Handle H=5.5mm  
C: Close Type H=3.0mm
3. G: Gold Flash  
T: Tin Plating
4. Pinrex internal code

203-72 - P A G B xx  
1 2 3 4

1. 3: Junction Type (dual ports)
2. A: With Handle H=5.5mm
3. G: Gold Flash  
T: Tin Plating
4. Pinrex internal code

Standard Parts
200-73-PAGB00
200-73-PCGB00
203-72-PAGB00

Unit: mm