



2.0mm Wire to Board Header Straight (R/A) Type

MATERIAL

Insulator : Polyester
Contact Pin : Brass

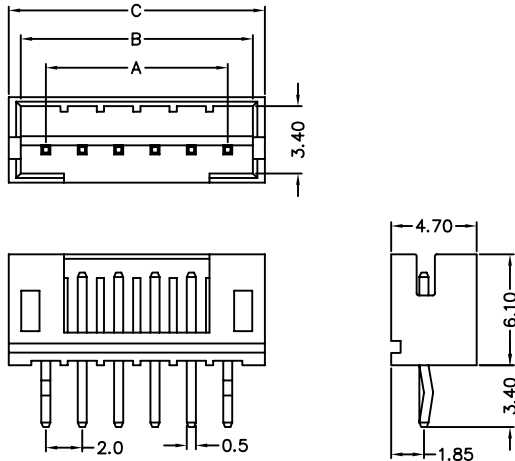
SPECIFICATION

Current Rate : 2 AMP
Insulation Resistance : 100MΩ MIN.
Contact Resistance : 20mΩMax.
Operation Temperature : -25°C to +85°C

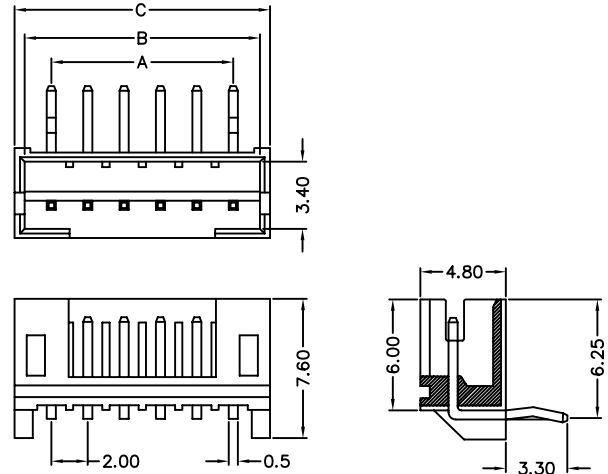


Detail Dimensions

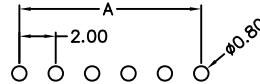
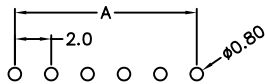
721-71-xxTW01



721-72-xxTW08



Recommended P.C.B Layout



Order Information

721-7 x - xx T W xx
1 2 3 4 5

1. 1: Straight Type
2: Right Angle Type
2. No. of contacts
3. T: Tin Plating
4. W: White Insulator
5. Pinrex internal code

Standard Parts	Type
721-71-xxTW01	Straight
721-72-xxTW08	Right Angle

Number Of Contacts

Unit: mm

Poles	DIM A	DIM B	DIM B	Poles	DIM A	DIM B	DIM B	Poles	DIM A	DIM B	DIM C				
2	2.00	5.00	6.00	9	16.00	19.00	20.00	16	30.00	33.00	34.00				
3	4.00	7.00	8.00	10	18.00	21.00	22.00								
4	6.00	9.00	10.00	11	20.00	23.00	24.00								
5	8.00	11.00	12.00	12	22.00	25.00	26.00								
6	10.00	13.00	14.00	13	24.00	27.00	28.00								
7	12.00	15.00	16.00	14	26.00	29.00	30.00								
8	14.00	17.00	18.00	15	28.00	31.00	32.00								