



3.0mm Power Connector Single Row Through Hole Type

MATERIAL

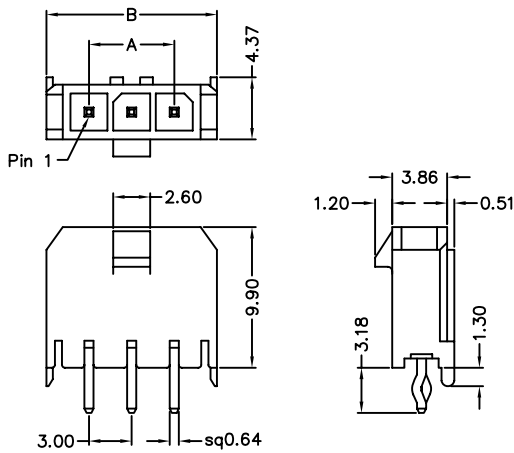
Insulator : Polyester
Contact Pin : Brass

SPECIFICATION

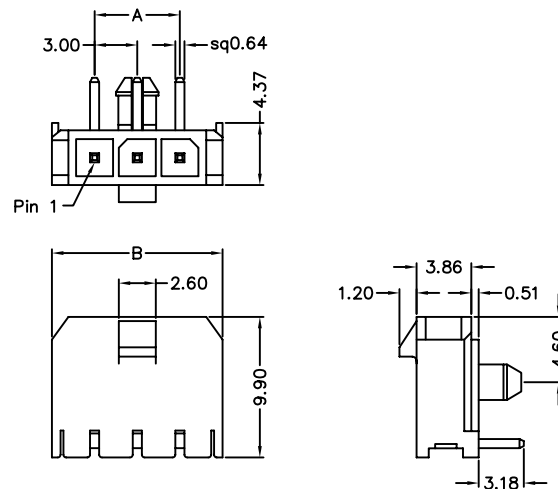
Current Rate : 2 AMP
Insulation Resistance : 1000MΩ MIN.
Contact Resistance : 10mΩMax.
Operation Temperature : -25°C to +85°C

Detail Dimensions

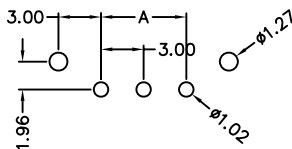
733-73-xxTB11



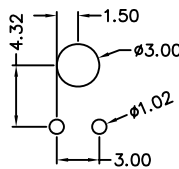
733-74-xxTB11



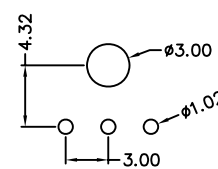
Recommended P.C.B Layout



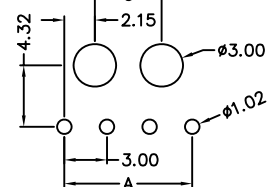
2P



3P



4~12P



Order Information

733-7 x - xx T B 1 1
1 2 3 4 5 6

Standard Parts	Type
733-73-xxTB11	Straight
733-74-xxTB11	Right Angle

- 3: Straight Type
4: Right Angle Type
- No. of contacts
- T: Tin Plating
- B: Black Insulator
- 1: with Post
- Pinrex internal code

Number Of Contacts

Unit: mm

Poles	DIM A	DIM B	DIM C	Poles	DIM A	DIM B	DIM C								
2	3.00	9.00		9	24.00	30.00	19.70								
3	6.00	12.00		10	27.00	33.00	22.70								
4	9.00	15.00	4.70	11	30.00	36.00	25.70								
5	12.00	18.00	7.70	12	33.00	39.00	28.70								
6	15.00	21.00	10.70												
7	18.00	24.00	13.70												
8	21.00	27.00	16.70												