



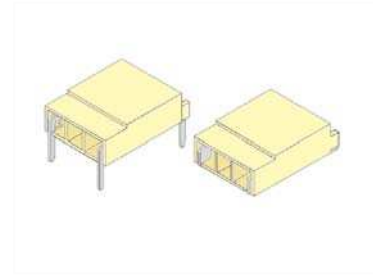
3.5mm Wire to Board LCD Connector

MATERIAL

Insulator : Polyester
Contact Pin : Phosphor Bronze

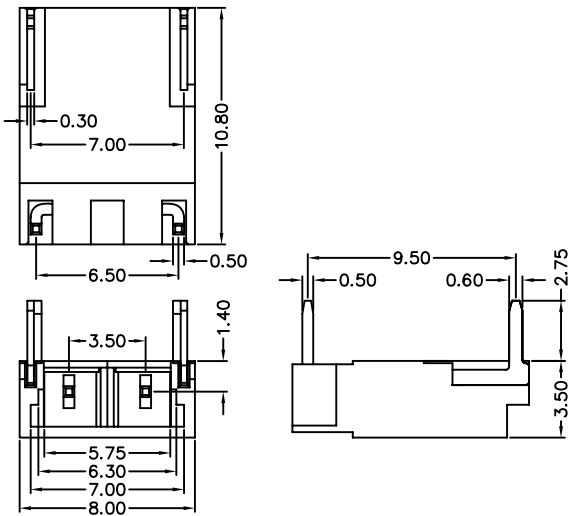
SPECIFICATION

Current Rate : 1 AMP
Insulation Resistance : 1000MΩ MIN.
Contact Resistance : 20mΩMax.
Operation Temperature : -25°C to +85°C

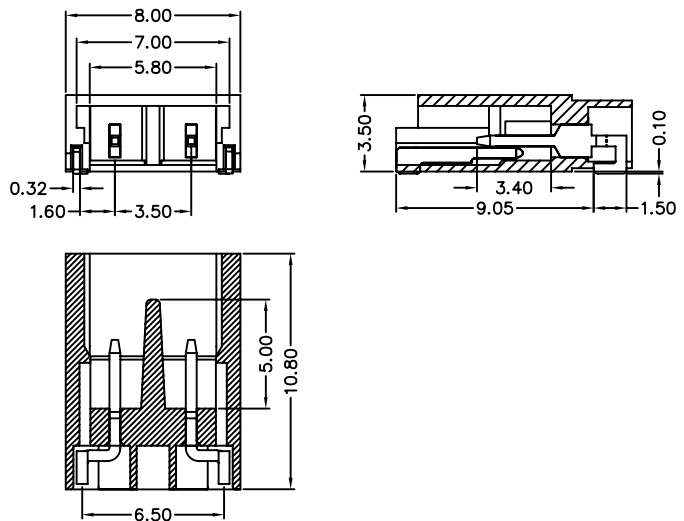


Detail Dimensions

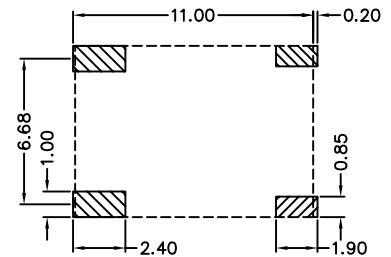
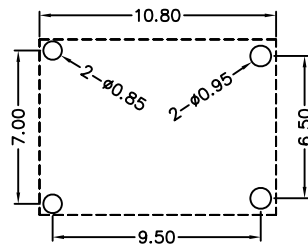
735-71-02TW08



735-72-02TW08

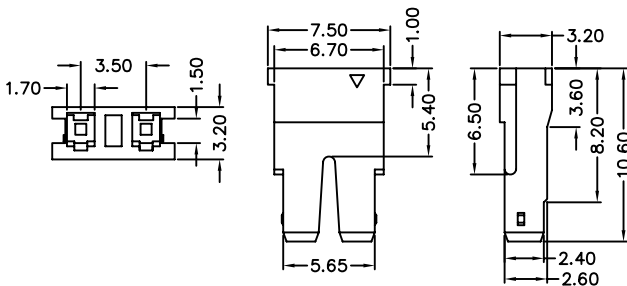


Recommended P.C.B Layout

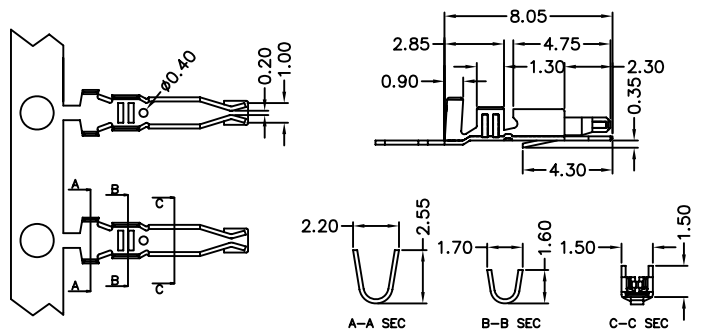


Detail Dimensions

735-75-02W008



735-70-T00008



Order Information

735-7 x - 02 T W xx
1 2 3 4 5

1. 1: DIP Type
- 2: SMT Type
2. No. of contacts
3. T: Tin Plating
4. W: White Insulator
5. Pinrex internal code

Unit: mm

Standard Parts	Type
735-71-02TW08	DIP
735-72-02TW08	SMT
735-75-02W008	Housing
735-70-T00008	Terminal