



5.08mm Power Connector Straight Type

MATERIAL

Insulator : Polyester
Contact Pin : Brass

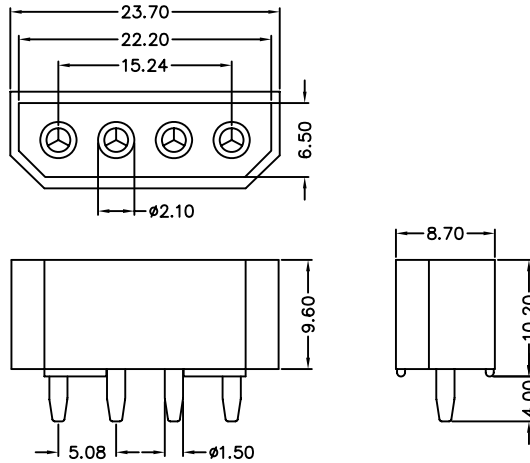
SPECIFICATION

Current Rate : 7 AMP
Insulation Resistance : 1000MΩ MIN.
Contact Resistance : 20mΩMax.
Operation Temperature : -25°C to +85°C

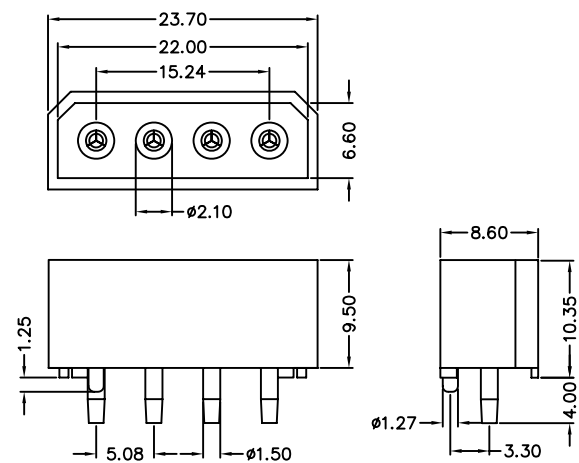


Detail Dimensions

758-81-04TW00



758-81-04TB10



Recommended P.C.B Layout



Order Information

758-81 - 04 T x xx
1 2 3 4

Standard Parts	Type
758-81-04TW00	without Post
758-81-04TB10	with Post

1. No. of contacts
2. T: Tin Plating
3. B: Black Insulator
W: White Insulator
4. Pinrex internal code

Unit: mm