

PIBÖW

This is not a toy

Contains small parts, not suitable for young children

Designed & manufactured with care in **Sheffield, UK**

Take care when removing the protective plastic and assembling as individual pieces can be fragile if bent


Please follow these instructions carefully

Do not block the ventilation ports.
Max. Operating Temperature: 75°C

For more helpful information or product support, go to <http://pibow.com/help> or email help@pimoroni.com

Plans & Instructions
© Pimoroni Ltd. 2012

Contents

4x 

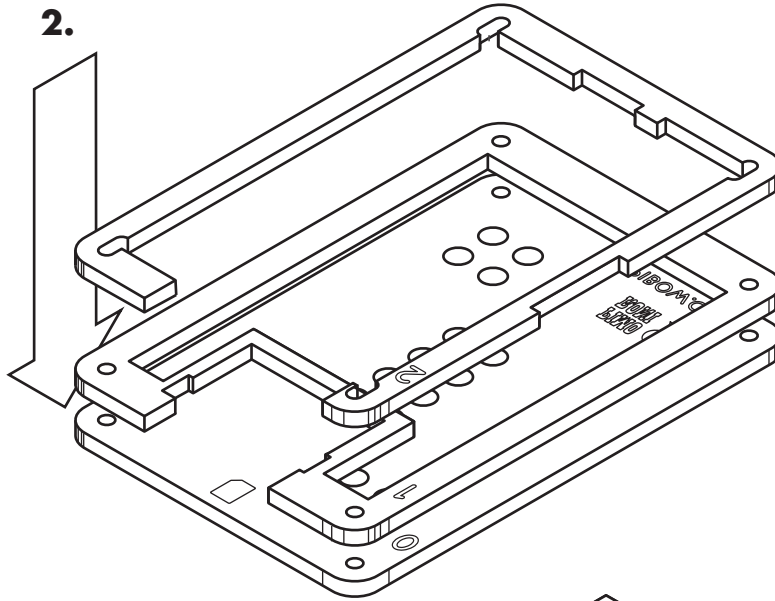
1x 

9x Pibow Layers

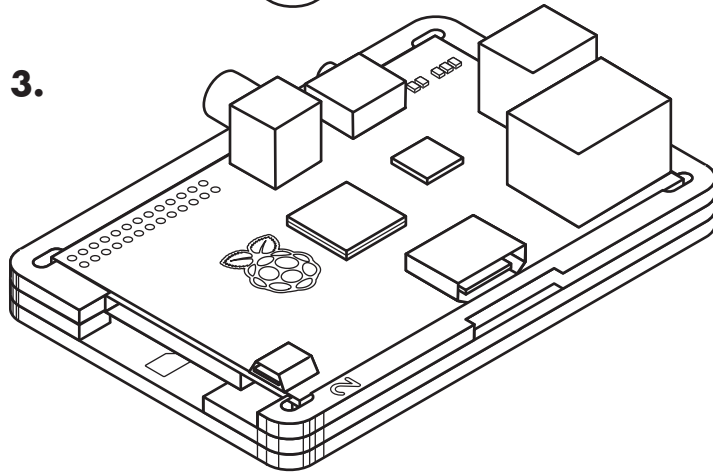
4x 

1. Remove the protective film from all 9 layers

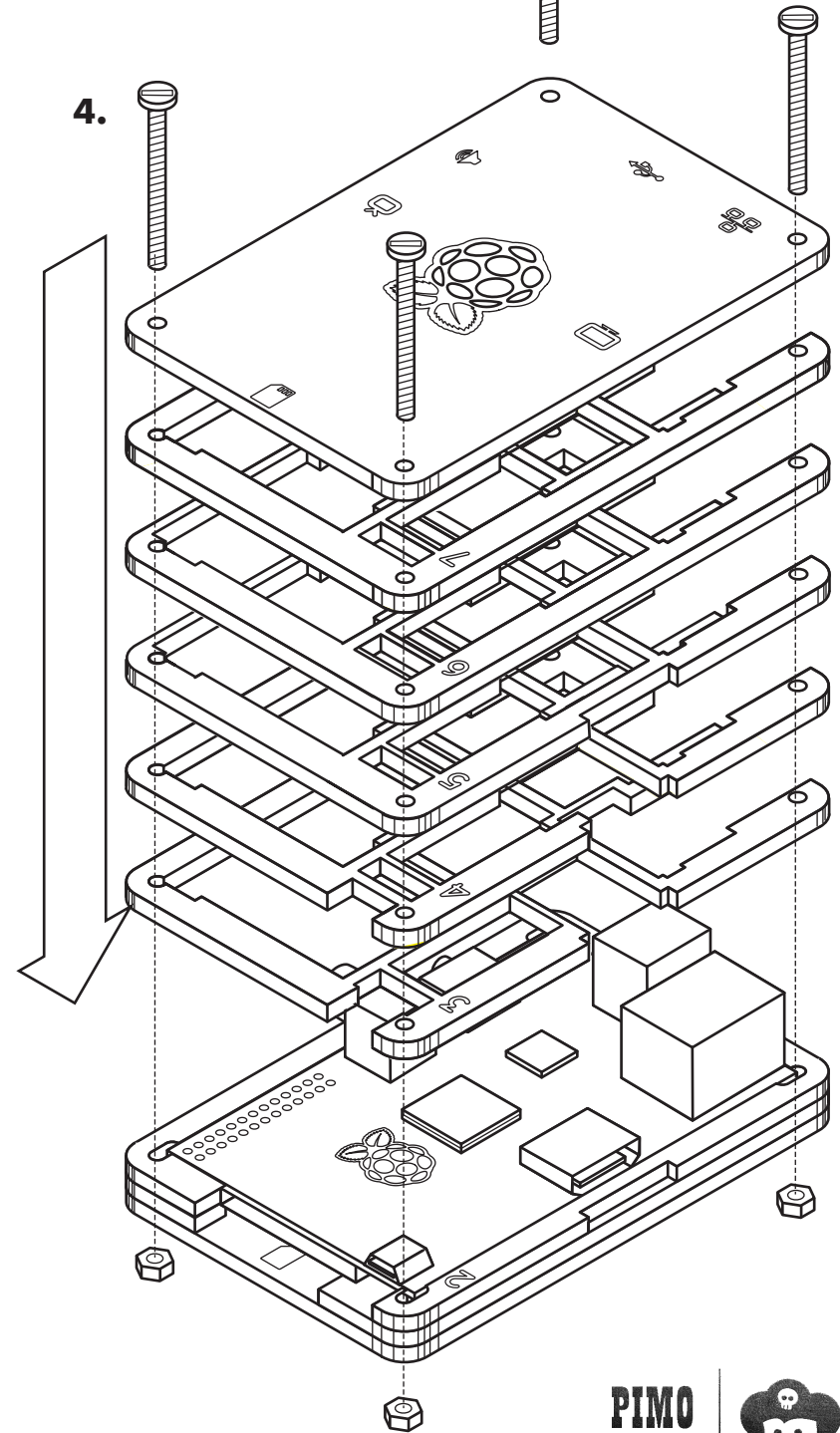
2.



3.



4.



PIMORONI

