



ALL NEW PRODUCTS!



HEYClip™ SunRunner® 2 Series Cable Clips

For Micro-Inverter Cables

- Designed to hold Micro-Inverter cables .413" (10,5 mm) to .472" (12,0 mm) in diameter.
- Smooth clip edges prevent damage to cable insulation.
- “S” hook clip design will fit a wide variety of extruded aluminum profiles.
- SunRunner 2 is designed for solar mounting frames such as the ones used by Unirac, Solar Mount and Mountain Systems.
- SunRunner 2-R is designed for racking systems such as the ones used by Haticon Solar and S:FLEX.
- SunRunner 2-U features a shorter S hook for Unirac and other similar frame profiles.
- Neatly dresses cable on PV panels or along mounting frame channels from .080" (2,0 mm) to .250" (6,4 mm) thick.
- Constructed from heat treated 410 stainless steel for excellent strength and corrosion protection for outdoor exposure.
- See opposite page for typical rack profile applications.
- Not for use in a marine salt water environment. Contact Heyco for alternative materials.

PANEL THICKNESS CLAMPING RANGE				WIRE DIA. RANGE		PART NO.	DESCRIPTION	FOOTPRINT		REAR TAB LENGTH	
Minimum	Maximum		in.	mm.	in.			mm.	in.	mm.	
SunRunner® 2											
.08	2,0	.25	6,4	.30 - .47	7,6-12,0	S6404	SunRunner® 2 100 Pack	.50 x 1.30	12,7 x 33,0	.84	21,3
						S6444	SunRunner® 2 Bulk				
SunRunner® 2-R											
.38	9,7	.38	9,7	.30 - .47	7,6-12,0	S6402	SunRunner® 2-R 100 Pack	.50 x 1.30	12,7 x 33,0	.41	10,4
						S6442	SunRunner® 2-R Bulk				
SunRunner® 2-U											
.25	6,4	.25	6,4	.30 - .47	7,6-12,0	S6401	SunRunner® 2-U 100 Pack	.50 x 1.30	12,7 x 33,0	.38	9,7
						S6441	SunRunner® 2-U Bulk				



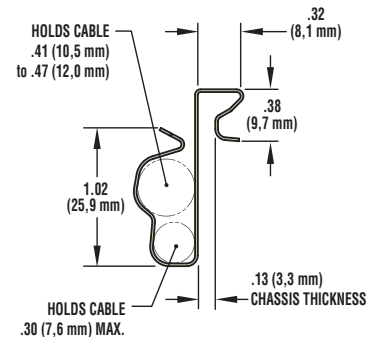
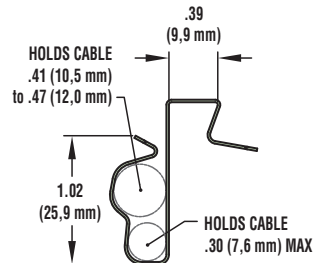
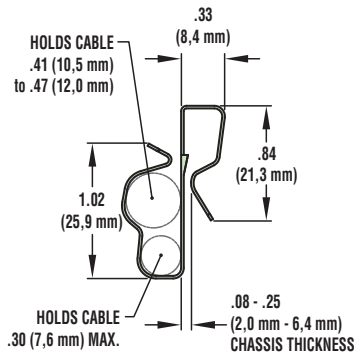
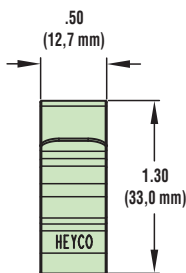
SunRunner 2



SunRunner 2-R



SunRunner 2-U



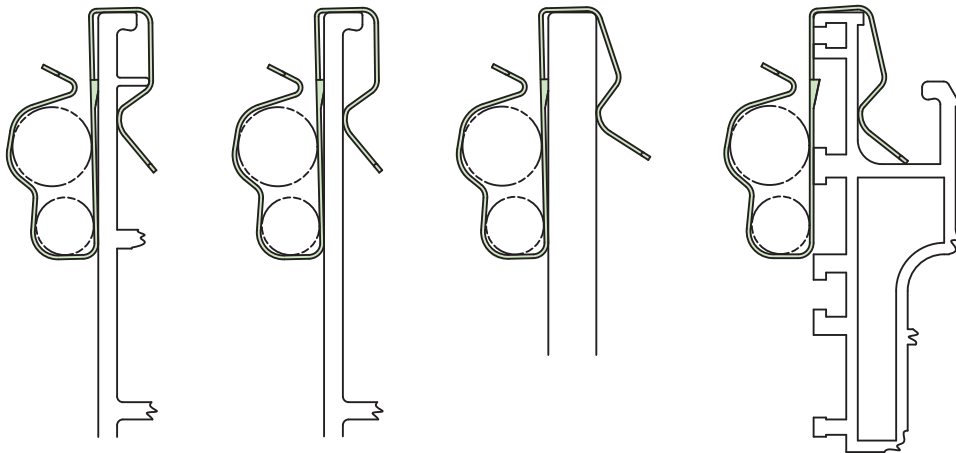
Quick Specs

Material

.020" thick heat treated 410 stainless steel

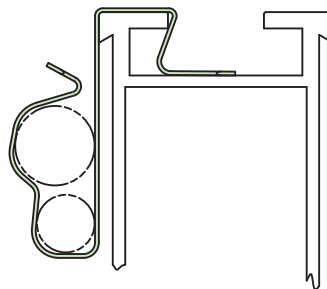


HEYClip™ SunRunner® 2 Series “Where Used” Rack Profiles

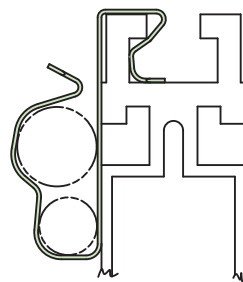


SunRunner 2
fits Everest, SnapNrack,
and similar rack profiles

Consult Heyco for clips
to meet your specific
rack profile



SunRunner 2-R
fits Haticon Solar,
S:FLEX and similar
rack profiles



SunRunner 2-U
fits Unirac Solar Mount
Standard Rail and similar
rack profiles