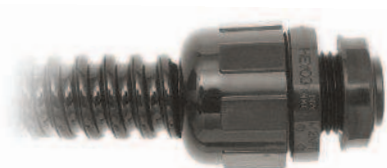




# Heyco-Flex™ Liquid Tight Conduit Fittings

## Straight-Thru, NPT Hubs

For Flexible, Nonmetallic Liquid Tight Heyco-Flex™ I Conduit and Heyco-Flex™ II Tubing



- No disassembly required. Instead, the installer simply pushes the conduit or tubing onto the ferrule, then tightens the domed sealing nut. This completed assembly can then be secured in the panel by the locknut or into an NPT threaded hole.
- Convex ferrule ensures liquid tight seal.
- No threading of the conduit or tubing is required to install. This eliminates the possibility of cutting the conduit and creating leak paths.
- Complete conduit/connector system is reusable. Conduit will not wind tight onto the connector during assembly and can be easily removed by pulling while turning in a clockwise direction.
- Multiple sizes for use with Heyco-Flex Conduit and Tubing. See pages 2-1 and 2-2.
- Protection class IP 68 up to 70 psi (5 bar) water pressure.
- Suitable for indoor/outdoor use; for original equipment manufacturers or field installers.
- Use of a sealing washer may be required for wet locations. See page 2-13 and 2-14.
- All nylon construction resists salt water, weak acids, gasoline, alcohol, oil, grease, and common solvents. (This feature is not assessed by UL certification and testing.)
- If using a tapped hole, Teflon® tape is needed on the threads of the connector, for all other applications an O-ring and Locknut are needed to attain liquid tight.
- Black connectors up to 1" provided with nylon locknut, packed separately. Larger than 1" provided with O-ring and metal locknut.
- Gray connectors provided with assembled O-ring and metal locknuts.
- See pages 2-11 and 2-12 for locknuts.
- See pages 2-14 and 2-15 for sealing washers and O-rings.

FITS CONDUIT/TUBING TRADE SIZE	PART NO.		DESCRIPTION	THREAD SIZE	PART DIMENSIONS BODY AND SEALING UNIT									
	Black	Gray			A		B		C		D		E	
					Clearance Hole	in.	mm.	Max. O.A.	in.	mm.	Thread Length	in.	mm.	Nut Thk.
3/8	8400	8401	HFC 3/8	1/2" NPT	.875*	22,2	1.960	49,8	.630	16,0	.250	6,3	1.328	33,7
1/2	8402	8403	HFC 1/2	1/2" NPT	.875*	22,2	1.960	49,8	.630	16,0	.250	6,3	1.328	33,7
3/4	8404	8405	HFC 3/4	3/4" NPT	1.109	28,1	2.040	52,8	.630	16,0	.250	6,3	1.562	39,6
1	8406	8407	HFC 1	1" NPT	1.375	34,9	2.250	57,2	.780	19,8	.250	6,3	1.812	46,0
1-1/4	8638	8639	HFC 1-1/4	1-1/4" NPT	1.734	44,0	2.070	52,6	.685	17,4	.250	6,3	2.150	54,6
1-1/2	8640	8641	HFC 1-1/2	1-1/2" NPT	1.984	50,4	2.280	57,9	.780	19,8	.275	7,0	2.400	61,0
2	8642	8643	HFC 2	2" NPT	2.469	62,7	2.260	66,0	.850	21,6	.312	7,9	2.980	75,6

Standard colors black or gray.

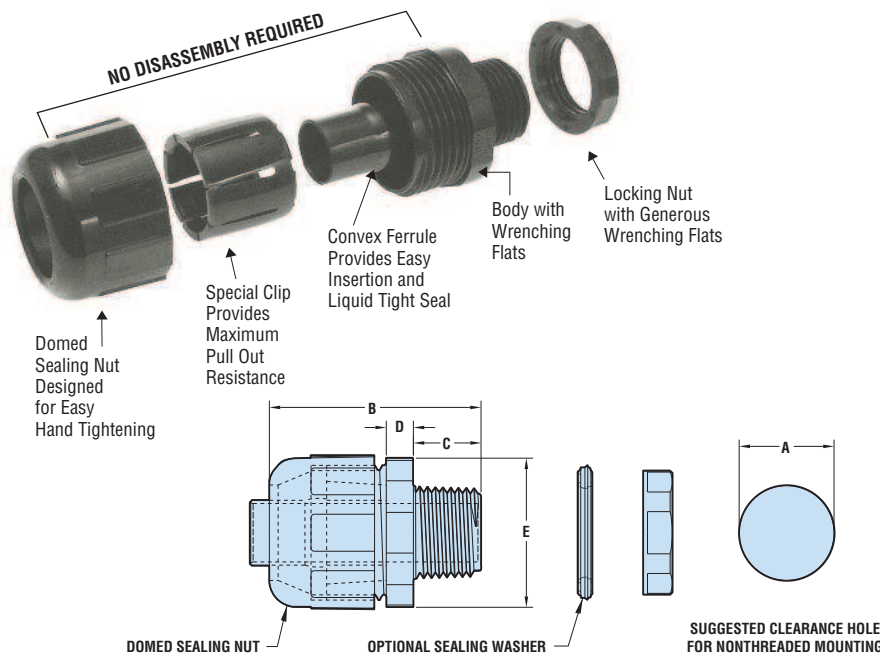
\*Fittings used to attach two different conduit sizes to the same size hole.

### PG Threaded Hub for 1/4" Heyco-Flex II Tubing

1/4	8398**	-	HFC 1/4-PG7	PG 7	.492	12,5	1.131	28,7	.449	11,4	.209	5,3	1.001	25,4
-----	--------	---	-------------	------	------	------	-------	------	------	------	------	-----	-------	------

Standard color black.

\*\*Recognized under UL file E121095.



**Material**  
**Certifications**

Nylon 6/6

UL Listed under Underwriters' Laboratories File E28430

CSA Certified by Canadian Standards Association File 84579 and 81067

**Flammability Rating**

94V-2

**Material Temperature Index**

Maximum temperature on part not to exceed 221°F (105°C)

**IP Rating**

IP 68 up to 70 psi (5 bar) water pressure