



**NO O-RING
REQUIRED!**



Heyco®-Tite Liquid Tight Cordgrips in Halogen Free V-0 Nylon

Straight-Thru, NPT Hubs with Integral Sealing Ring
The Ultimate in Liquid Tight Strain Relief Protection

- **Molded from a nylon material which, in the event of a fire, will not burn and will not produce toxic gases.** Also formulated for sunlight resistance.
- Integral Sealing ring ensures a superior seal at the clearance or threaded mounting hole location, every time.
- Widest range of approved cable diameters.
- IP 68 rated.
- Approved for **NEMA 6 and 6P** applications.
- Ratchet design of sealing nut assembly provides superior anti-vibration protection and ensures a firm grip on the cable.
- Acme threads on body prevent skipping and speed installation.
- All nylon construction with Buna N sealing gland resists salt water, weak acids, gasoline, alcohol, oil, grease, and common solvents. (This feature is not assessed by UL).
- We recommend using the cordgrip with the smallest maximum diameter that will fit your application.
- Locknuts not included. For Nylon Locknut specifications, or to order nylon locknuts separately, see page 3-39.
- For Heyco Liquid Tight Threaded Plugs, see page 3-43.
- Consult Heyco for cordgrips molded in other colors.

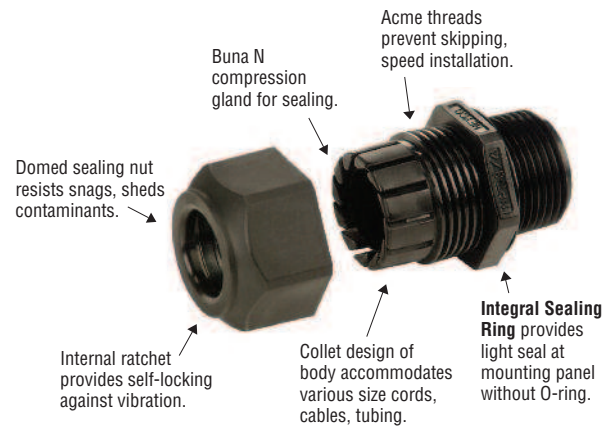
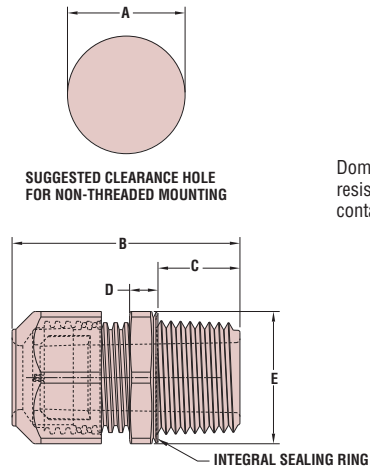
CABLE DIA. RANGE				PART NO.	DESCRIPTION	UL or RA	PART DIMENSIONS									
Minimum in.	Maximum in.	Minimum mm.	Maximum mm.				Black	A Clearance Hole Dia.		B Max. O.A. Length		C Thread Length		D Wrenching Nut Thickness		E Flat Size
.065	1,7	.210	5,3	V4514	RLTCG 1/4	RA	.540	13,7	1.29	32,8	.45	11,4	.21	5,3	.63	16,0
.115	2,9	.250	6,4	V4516	LTCG 1/4											
.065	1,7	.230	5,8	V3458	RLTCG 3/8	RA	.680	17,3	1.41	35,8	.49	12,4	.21	5,3	.83	21,1
.105	2,7	.315	8,0	V3228	LTCG 3/8											
.095	2,4	.290	7,4	V4518	RLTCG 1/2	UL	.875	22,2	1.70	43,2	.61	15,5	.21	5,3	.98	24,9
.170	4,3	.450	11,4	V3231	LTCG 1/2											
.180	4,6	.400	10,1	V4520	RLTCG LL 1/2	UL	.875	22,2	1.68	42,7	.44	11,2	.25	6,4	1.07	27,0
.270	6,9	.545	13,8	V3200	LTCG LL 1/2											
.250	6,4	.490	12,4	V3460	RLTCG 3/4	UL	1.040	26,4	2.00	50,8	.62	15,7	.25	6,4	1.30	33,0
.435	11,0	.705	17,9	V3234	LTCG 3/4											
.490	12,4	.785	19,9	V8439	RLTCG 1	UL	1.326	33,7	2.41	61,2	.75	19,1	.30	7,6	1.73	43,9
.590	15,0	1.000	25,4	V8437	LTCG 1											
.787	20,0	1.020	25,9	V4522	RLTCG 1-1/4	UL	1.680	42,7	2.69	68,3	.77	19,6	.31	7,9	2.05	52,1
.865	22,0	1.260	32,0	V4524	LTCG 1-1/4											

NEW!

NEW!

NEW!

Standard color black.



Quick Specs

Material	Nylon 6/6 Non-halogenated w/Buna N Sealing Gland
Certifications	<ul style="list-style-type: none"> UL Listed under Underwriters' Laboratories File E51579 RA Recognized under the Component Program of Underwriters' Laboratories File E51579 CS Certified by Canadian Standard Association File 93876C
Flammability Rating	94V-0
Temperature Rating	Static -40°F (-40°C) to 212°F (100°C) Dynamic 4°F (-20°C) to 212°F (100°C)
IP Rating	IP 68 (70 PSI, 5 BAR)