



# Heyco® -Tite Brass Liquid Tight Cordgrips

## Metric Hubs

*The Ultimate in Liquid Tight Strain Relief Protection*

CABLE DIA. RANGE				PART NO.	THREAD SIZE	UL or RA	PART DIMENSIONS							
Minimum		Maximum					A Clearance Hole Dia.		B Max. O.A. Length		C Thread Length		D Wrenching Nut Flat Size	
in.	mm.	in.	mm.				in.	mm.	in.	mm.	in.	mm.	in.	mm.
.079	2,0	.098	2,5	<b>4500</b>	M6 x 1	cULus	.25	6,5	.787	20,0	.315	8,0	.315	8,0
.098	2,5	.118	3,0	<b>4501</b>										
.118	3,0	.138	3,5	<b>4502</b>										
.098	2,5	.138	3,5	<b>4503</b>	M8 x 1,25	cULus	.33	8,5	.945	24,0	.394	10,0	.433	11,0
.138	3,5	.197	5,0	<b>4504</b>										
<b>NEW!</b> .138	3,5	.197	5,0	<b>4604*</b>	M8 x 1,25	cULus	.33	8,5	.748	19,0	.197	5,0		
.118	3,0	.157	4,0	<b>4505</b>	M10 x 1,5	cULus	.41	10,5	.984	25,0	.394	10,0	.512	13,0
.157	4,0	.236	6,0	<b>4506</b>										
.138	3,5	.197	5,0	<b>4507</b>	M12 x 1,5	cULus	.50	12,5	1.063	27,0	.394	10,0	.591	15,0
.197	5,0	.256	6,5	<b>4508</b>										
.256	6,5	.315	8,0	<b>4509</b>										
.138	3,5	.177	4,5	<b>4510</b>	M16 x 1,5	cULus	.64	16,5	1.181	30,0	.394	10,0	.709	18,0
.177	4,5	.236	6,0	<b>4511</b>										
.236	6,0	.315	8,0	<b>4512</b>										
.315	8,0	.413	10,5	<b>4513</b>										
.236	6,0	.315	8,0	<b>4514</b>										
.315	8,0	.433	11,0	<b>4515</b>	M20 x 1,5	cULus	.80	20,5	1.220	31,0	.394	10,0	.945	24,0
.433	11,0	.590	15,0	<b>4516</b>										
.374	9,5	.492	12,5	<b>4517</b>	M25 x 1,5	cULus	1.00	25,4	1.417	36,0	.433	11,0	1.181	30,0
.492	12,5	.630	16,0	<b>4518</b>										
.630	16,0	.807	20,5	<b>4519</b>										
.551	14,0	.669	17,0	<b>4520</b>	M32 x 1,5	cULus	1.27	32,5	1.614	41,0	.512	13,0	1.417	36,0
.669	17,0	.827	21,0	<b>4521</b>										
.827	21,0	1.004	25,5	<b>4522</b>										
.787	20,0	.945	24,0	<b>4523</b>	M40 x 1,5	cULus	1.59	40,5	1.732	44,0	.512	13,0	1.811	46,0
.945	24,0	1.122	28,5	<b>4524</b>										
1.122	28,5	1.299	33,0	<b>4525</b>										
1.142	29,0	1.299	33,0	<b>4526</b>	M50 x 1,5	cULus	1.99	50,5	1.890	48,0	.551	14,0	2.165	55,0
1.299	33,0	1.457	37,0	<b>4527</b>										
1.457	37,0	1.654	42,0	<b>4528</b>										

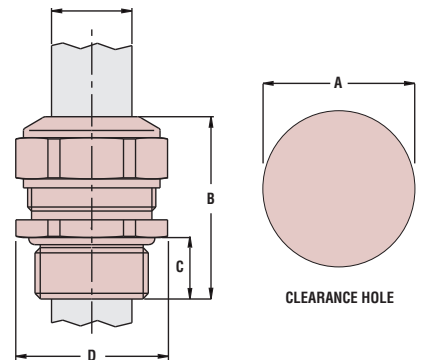
### Metric Hub, High Temperature\*\*

<b>NEW!</b> .433	11,0	.590	15,0	<b>4699</b>	M20 x 1,5	cULus	.80	20,5	1.220	31,0	.394	10,0	.945	24,0
.630	16,0	.807	20,5	<b>4612</b>	M25 x 1,5	cULus	1.00	24,5	1.540	39,0	.433	11,0	1.181	30,0

\*Short .197" (5,0 mm) thread

\*\*Special sealing gland rated to 200°C (392°F)

- **Nickel plated brass construction** for superior protection of flexible cables.
- Nickel-plated finish over brass provides excellent corrosion resistance and durability.
- IP 68 rated.
- For use in clearance or threaded holes.
- Meets the New European standard EN 50262 version A for metric cordgrips.
- Long metric threads provide additional threads for easy locknut assembly.
- Multiple sizes for flexible cord diameters ranging from .079" (2,0 mm) to 1.654" (42,0 mm).
- We recommend using the smallest cordgrip that accommodates your cable size.
- Sealing gland is molded in Thermoplastic Polymer Elastomer (TPE) Material.
- **Locknuts not included.** For metal locknut specifications or to order locknuts separately, see page 3-40.



<b>Material</b>	Nickel-Plated Brass W/TPE Sealing Gland
<b>Certifications</b>	cULus Certified by UL for Compliance with both Canadian and U.S. requirements under File E51579.
	cRAus Recognized under the Component Program of Underwriters' Laboratories File E51579 to both Canadian and U.S. requirements.
<b>Temperature Rating</b>	-40°F (-40°C) to 212°F (100°C)
<b>IP Rating</b>	IP 68, IP 69K

*Quick Specs*