



# Heyco® Snap-In Universal Strain Relief Bushings

*Fit 1/2" Electrical Knock-out Hole*

- **USR 400 fits the widest range of cable sizes.**
- USR 401 fits the widest range of Romex® and other **flat** cable sizes.
- Captive screw forces the locking flap against the cable.
- Captive screw meets typical European requirements wherein the Strain Relief device must remain attached to the panel during cable removal or replacement.
- Nylon USR 400 & 401 comply with:
  - IEC Publication #335
  - CEE #10 and # 11
- Easy installation: fingertip pressure locks bushing into .875" (22,2 mm) diameter holes with panel thickness up to .125" (3,2 mm).
- Reinforcing ribs for extra strength.
- Bell mouth contour, radiused at 1.5x the exit hole diameter, eliminates the need for a separate cord guard.
- Protect cables against forces of pull, push, twist, and flex.
- **For Heyco-Tite Liquid Tight Romex® Connectors, see page 4-35.**

WILL FIT THESE CABLES			PANEL DIMENSIONS				PART NO.	DESCRIPTION	SCREW TYPE		
Cross Section	Approximate Size		A Mounting Hole Dia.		B To Prevent Rotation					Panel Thickness	
	in.	mm.	in.	mm.	in.	mm.	Black				
Round or Flat	up to .400	up to 10,2	.875	22,2	.770	19,6	.062	1,6	<b>1724</b>	USR-400	nylon
			.125	3,2					<b>1730</b>	USR-40	steel

Standard color black. Consult Heyco for white and other colors.

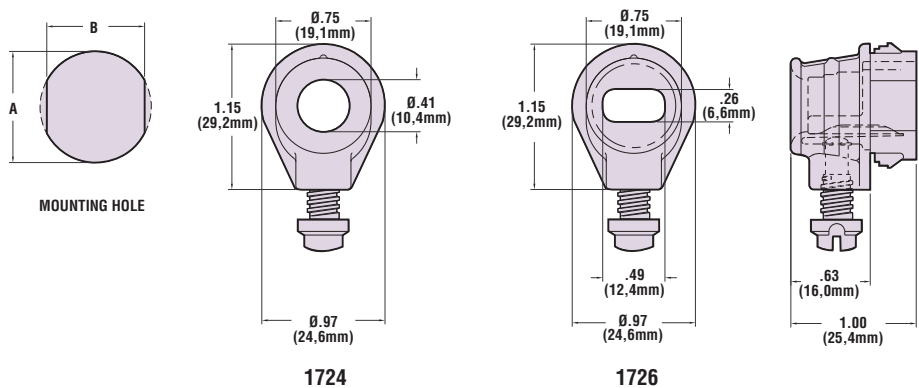
# Heyco® Snap-In Romex® Strain Relief Bushing\*

*Fits 1/2" Electrical Knock-out Hole*

WILL FIT THESE CABLES			PANEL DIMENSIONS				PART NO.	DESCRIPTION	SCREW TYPE			
Romex Type	AWG/ Conds	Approximate Size		A Mounting Hole Dia.		B To Prevent Rotation				Panel Thickness		
		in.	mm.	in.	mm.	in.	mm.	Black				
NM-B	14/2, 14/3, 12/2, 12/3, 10/2	up to .250 x .400	up to 6,4 x 10,2	.875	22,2	.770	19,6	.062 .125	1,6 3,2	<b>1726</b>	USR-401	nylon

Standard color black. Consult Heyco for white and other colors.

\*For Romex® and other flat cables.



*Quick Specs*

<b>Material</b>	Nylon 6/6
<b>Certifications</b>	<ul style="list-style-type: none"> <li>Recognized File E15331 for round and flat SPT type cables</li> <li>Listed under Underwriters' Laboratories File E103540</li> <li>Certified by the Canadian Standards Association File 81067</li> </ul>
<b>Flammability Rating</b>	94V-2
<b>Material Temperature Index</b>	257°F (125°C)—Maximum temperature on part not to exceed 221°F (105°C)