



Heyco® Nylon Removable Snap-In Ratcheting Strain Reliefs

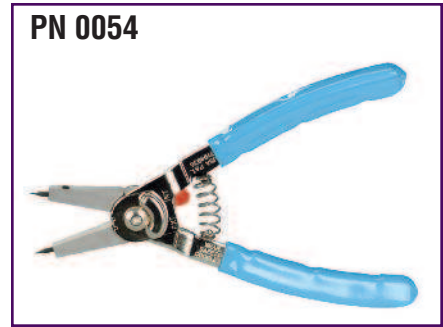
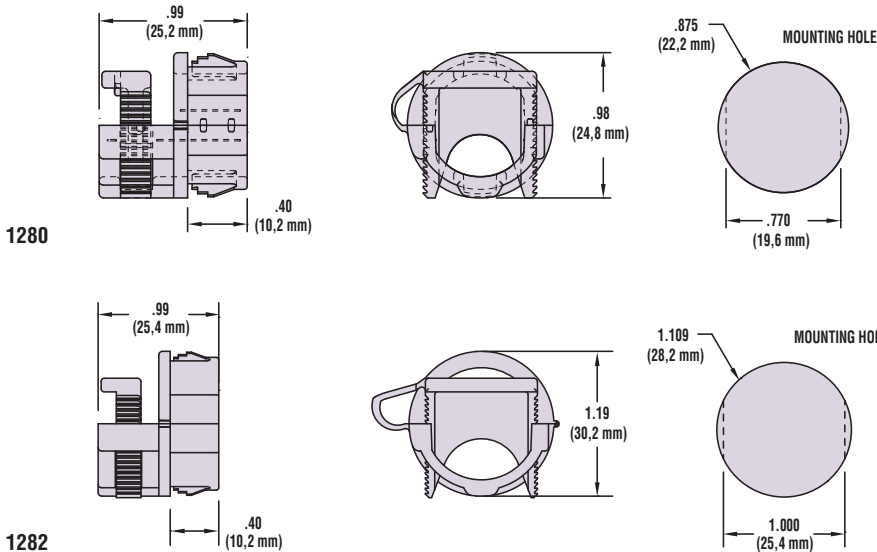
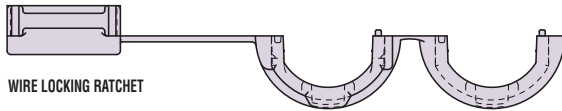
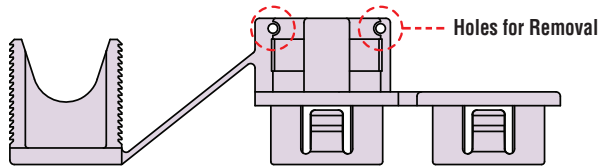
For Round and Double D Mounting Holes



WILL FIT THESE CABLES		PANEL DIMENSIONS				PART NO.	DESCRIPTION	BODY LENGTH		Corresponding Mounting Hole Plug	
Cross Section	Approximate Size	Mounting Hole Size		Maximum Thickness				in.	mm.	PART NO.	DESC.
	in. mm.	in.	mm.	in.	mm.	Black					
Round, Flat or Multiple	.115- .575 2,9- 14,6	.875 w/ .770 flats	22,2 w/ 19,6 flats	.125	3,2	1280	RSR 875	1.00	25,4	2509	DD 875 -770
Round, Flat or Multiple	.115- .750 2,9- 19,1	1.109 w/ 1.000 flats	28,2 w/ 25,4 flats	.125	3,2	1282	RSR 1109	1.00	25,4	2717	DD 1109 -1000

Standard color black. Consult Heyco for white and other colors.

- **Assembly friendly!** Independent of insertion into the panel, the Ratcheting Strain Relief **self-locks** onto the cable. Thus, it may be preassembled offline for final assembly at a later time or remote location, for lower installed cost!
- Unique wire locking ratchet allows for generous wire range from .115" (2,9 mm) to .750" (19,1 mm).
- Can be used for one cable or multiple cables (round or flat wire).
- Installs easily with fingertip pressure into a standard round or Double D hole.
- Ratcheting Strain Relief can be easily removed by inserting standard snap ring pliers with .040" tips (Heyco PN 0054) into the two holes on the part (see drawing) and spreading part open.
- Ideal solution for managing internal wire bundles such as wire harnesses.
- PN 1280 UL Recognized for multiple cables/conductors.
- Consult Heyco for other wire types and sizes.



Material Nylon 6/6

Certifications Recognized under the Component Program of Underwriters' Laboratories File E15331

Certified by Canadian Standards Association File 8919

Flammability Rating 94V-2

Material Temperature Index 257°F (125°C)–Maximum temperature on part not to exceed 221°F (105°C)

Quick Specs