



Heyco® Zinc Die-Cast Box Connectors



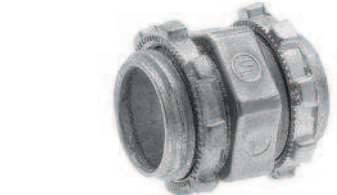
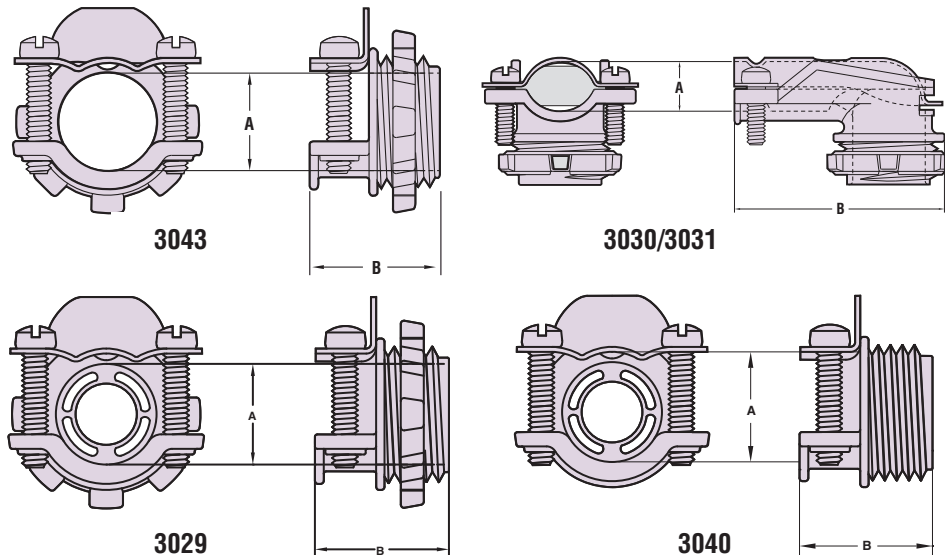
3043

Part No. 3043 (751) commonly known as a Romex® Connector.

- Also fits corrugated MC at .510" (13,0 mm) diameter, smooth MC at .345" (8,8 mm) to .525" (13,3 mm) diameter.

TRADE SIZE	NOMINAL MOUNTING HOLE DIAMETER		WILL FIT THESE CABLES*			PART NO.	DESCRIPTION	PART DIMENSIONS					
	in.	mm.	Flexible Metallic Conduit	Armored ***	Non-Metallic Sheathed			A				B	
								Minimum Wire	Maximum Wire	Overall Length			
								in.	mm.	in.	mm.	in.	mm.
Clamp-Type Connector													
3/8**	.875	22,2	-	14/2, 14/3, 12/2, 12/3, 10/2, 10/3	14/2, 12/2, 12/3	3043	751 aka Romex® Connector	.18	4,6	.64	16,3	.81	20,6
90° Angle Connectors													
3/8**	.875	22,2	3/8	14/2, 14/3, 14/4, 12/2, 12/3, 12/4, 10/2, 8/1, 6/1, 4/1	-	3030	561	.40	10,2	.63	16,0	1.81	46,0
1/2	.875	22,2	1/2	14/2, 14/3, 14/4, 12/2, 12/3, 12/4	-	3031	563	.65	16,5	.97	24,6	2.05	52,1
Combination Connectors													
3/8**	.875	22,2	3/8	14/2, 14/3, 14/4, 12/2, 12/3, 12/4	14/2, 14/3, 12/2, 12/3	3029	551	.18	4,6	.63	16,0	.85	21,6
						3040	551 No Nut						
Box Connector													
1/2	.875	22,2	n/a	n/a	n/a	9840	SP1	.40	10,2	1.12	28,4	.31	7,9

*Gauge/Conductors, except FMC.
 **1/2" K.O.
 ***Not UL Rated for armored cable.



9840

- Provides a connecting link between boxes, panels or chassis.
- Space boxes 5/16" (7,9 mm) apart.
- Die-cast locknut included.

Material Zamak 3

Certifications

- UL Listed under Underwriters' Laboratories File E103540 (3043, 3029, 3040)
- UL Listed under Underwriters' Laboratories File E103541 (all others)
- SP Certified by the Canadian Standards Association File 72095

Quick Specs