



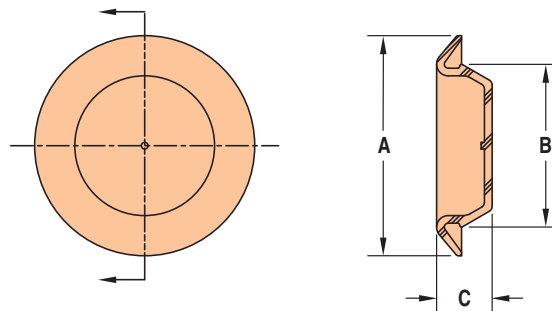
Heyco® LDPE Sheet Metal Plugs - Recessed Head

For Panel Thicknesses from .02" (0,5 mm) to .18" (4,6 mm)
Mounting Hole Diameter Range: .37" (9,4 mm) to 3.00" (76,2 mm)

- Close unneeded sheet metal panel holes in equipment such as automobile bodies, tanks, refrigeration units, etc.
- Recessed button head style.
- Retaining bead snaps easily into place.
- Available in multiple sizes from .37" (9,4 mm) through 3.0" (76,2 mm) diameter holes.
- For easier to install Sheet Metal Plugs made from flexible Santoprene, see Heyco Metric Ergonomic Plugs on page 6-15.

PANEL DIMENSIONS				PART NO.	DESCRIPTION	PART DIMENSIONS					
Thickness Range		Mounting Hole Diameter Range				A Head Diameter	B Bottom Diameter		C Overall Height		
in.	mm.	in.	mm.				in.	mm.	in.	mm.	
.02-10	0,51-2,54	.37-.39	9,4-9,9	9610	SMP R-375	.75	19,1	.41	10,4	.31	7,9
.02-.07	0,51-1,78	.50-.52	12,7-13,2	9611	SMP R-500	.85	21,6	.55	14,0	.29	7,4
.02-.14	0,51-3,56	.73-.76	18,5-19,3	9614	SMP R-750	1.16	29,5	.79	20,1	.34	8,6
.02-.07	0,51-1,78	.79-.82	20,1-20,8	9615	SMP R-812	1.15	29,2	.85	21,6	.29	7,4
.02-.10	0,51-2,54	.87-.90	22,1-22,9	9616	SMP R-875	1.23	31,2	.93	23,6	.35	8,9
		.99-1.02	25,2-25,9	9618	SMP R-1000	1.35	34,3	1.05	26,7		
		1.04-1.07	26,4-27,2	9619	SMP R-1062	1.40	35,6	1.10	27,9		
		1.09-1.12	27,7-28,5	9620	SMP R-1093	1.47	37,3	1.16	29,5		
.02-.18	0,51-4,57	1.10-1.15	27,9-29,2	9621	SMP R-1125	1.53	38,9	1.18	30,0	.43	10,9
.01-.10	0,25-2,54	1.23-1.27	31,2-32,3	9622	SMP R-1250	1.60	40,6	1.30	33,0	.35	8,9
		1.30-1.34	33,0-34,0	9623	SMP R-1312	1.67	42,4	1.36	34,5		
.02-.10	0,51-2,54	1.36-1.40	34,6-35,6	9624	SMP R-1375	1.73	43,9	1.43	36,3	.35	8,9
		1.48-1.52	37,6-38,6	9625	SMP R-1500	1.85	47,0	1.55	39,4		
.03-.10	0,76-2,54	1.59-1.65	40,4-41,9	9627	SMP R-1625	2.00	50,8	1.68	42,7	.36	9,1
.02-.10	0,51-2,54	1.75	44,5	9628	SMP R-1750	2.13	54,1	1.80	45,7	.35	8,9
		1.85-1.90	47,0-48,3	9631	SMP R-1875	2.24	56,9	1.93	49,0		
.02-.10	0,51-2,54	1.97-2.02	50,0-51,3	9632	SMP R-2000	2.35	59,7	2.05	52,1	.36	9,1
		2.50	63,5	9633	SMP R-2.5	3.00	76,2	2.57	65,3		
		3.00	76,2	9635	SMP R-3.0	3.56	90,4	3.06	77,7		

Standard color black.



Quick Specs

Material LDPE
Maximum Temperature Rating 175°F (79°C)