



## Heyco® Nylon PCB Supports

### Tension Barb Style

- Provide spacing between the printed circuit board and the panel or between circuit boards.
- Wide, ribbed wings produce a secure fit with extra stability.
- Multiple spacing heights from .187" (4,7 mm) to .750" (19,0 mm).
- Two Styles:
  - 1) Panel barb end, plus tension barb end for PCB.
  - 2) Panel barb end, plus locking barb end for PCB.

| PANEL DIMENSIONS   |                        |           |                   | PCB DIMENSIONS         |           |         |           | PART NO.    | DESCRIPTION | PART DIMENSIONS |           |                |           |     |     |
|--------------------|------------------------|-----------|-------------------|------------------------|-----------|---------|-----------|-------------|-------------|-----------------|-----------|----------------|-----------|-----|-----|
| Maximum Thickness  | Mounting Hole Diameter |           | Maximum Thickness | Mounting Hole Diameter |           | Natural | A Spacing |             |             | B Head Length   |           | C* Foot Length |           |     |     |
| in.   mm.          | in.   mm.              | in.   mm. | in.   mm.         | in.   mm.              | in.   mm. |         | in.   mm. | in.   mm.   | in.   mm.   | in.   mm.       | in.   mm. | in.   mm.      | in.   mm. |     |     |
| <b>SS T Series</b> |                        |           |                   |                        |           |         |           |             |             |                 |           |                |           |     |     |
|                    |                        |           |                   |                        |           |         |           | <b>3640</b> | SS T 3/16   | .19             | 4,8       |                |           |     |     |
|                    |                        |           |                   |                        |           |         |           | <b>3641</b> | SS T 1/4    | .25             | 6,4       |                |           |     |     |
|                    |                        |           |                   |                        |           |         |           | <b>3642</b> | SS T 3/8    | .38             | 9,5       |                |           |     |     |
|                    |                        |           |                   |                        |           |         |           | <b>3643</b> | SS T 7/16   | .44             | 11,1      | .40            | 10,2      | .20 | 5,1 |
|                    |                        |           |                   |                        |           |         |           | <b>3644</b> | SS T 1/2    | .50             | 12,7      |                |           |     |     |
|                    |                        |           |                   |                        |           |         |           | <b>3645</b> | SS T 5/8    | .63             | 15,9      |                |           |     |     |
|                    |                        |           |                   |                        |           |         |           | <b>3646</b> | SS T 3/4    | .75             | 19,0      |                |           |     |     |

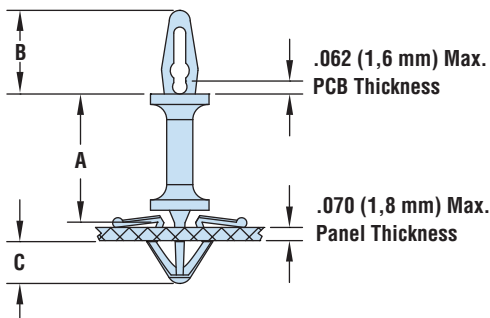
Standard color natural.  
\*Extension beyond .070" (1,8 mm) thick panel.

### Locking Barb Style

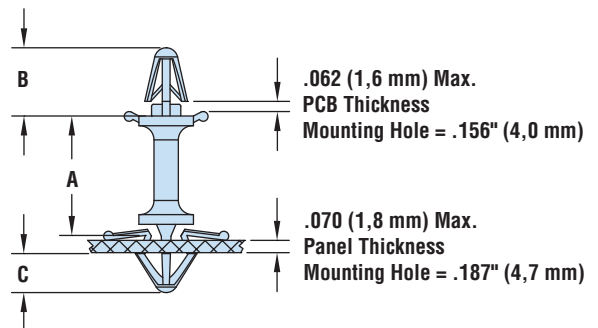


| PANEL DIMENSIONS   |                        |           |                   | PCB DIMENSIONS         |           |         |           | PART NO.    | DESCRIPTION | PART DIMENSIONS |           |                |           |     |     |
|--------------------|------------------------|-----------|-------------------|------------------------|-----------|---------|-----------|-------------|-------------|-----------------|-----------|----------------|-----------|-----|-----|
| Maximum Thickness  | Mounting Hole Diameter |           | Maximum Thickness | Mounting Hole Diameter |           | Natural | A Spacing |             |             | B Head Length   |           | C* Foot Length |           |     |     |
| in.   mm.          | in.   mm.              | in.   mm. | in.   mm.         | in.   mm.              | in.   mm. |         | in.   mm. | in.   mm.   | in.   mm.   | in.   mm.       | in.   mm. | in.   mm.      | in.   mm. |     |     |
| <b>SS L Series</b> |                        |           |                   |                        |           |         |           |             |             |                 |           |                |           |     |     |
|                    |                        |           |                   |                        |           |         |           | <b>3670</b> | SS L 3/16   | .19             | 4,8       |                |           |     |     |
|                    |                        |           |                   |                        |           |         |           | <b>3671</b> | SS L 1/4    | .25             | 6,4       |                |           |     |     |
|                    |                        |           |                   |                        |           |         |           | <b>3672</b> | SS L 3/8    | .38             | 9,5       |                |           |     |     |
|                    |                        |           |                   |                        |           |         |           | <b>3673</b> | SS L 7/16   | .44             | 11,1      | .35            | 8,9       | .20 | 5,1 |
|                    |                        |           |                   |                        |           |         |           | <b>3674</b> | SS L 1/2    | .50             | 12,7      |                |           |     |     |
|                    |                        |           |                   |                        |           |         |           | <b>3675</b> | SS L 5/8    | .63             | 15,9      |                |           |     |     |
|                    |                        |           |                   |                        |           |         |           | <b>3676</b> | SS L 3/4    | .75             | 19,0      |                |           |     |     |

Standard color natural.  
\*Extension beyond .070" (1,8 mm) thick panel.



Tension Barb



Locking Barb

Quick Specs

|                     |   |
|---------------------|---|
| Material            | Nylon 6/6   |
| Certifications      | Recognized under the Component Program of Underwriters' Laboratories File E197049 |
| Flammability Rating | 94V-2   |
| Temperature Range   | 32°F (0°C) to 185°F (85°C)  |