



# HEYClip™ Locking Releasable Wire Clips - Adjustable

### WCLP Series:

- Gather and route wires.
- Adjust to diameter needed to bundle.
- Push mount design allows for fast installation.

### WCLA Series:

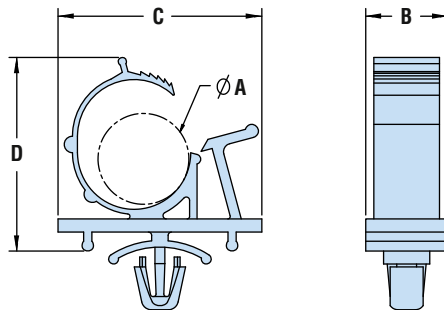
- Lock securely and easily. Re-open for routing changes.
- Ratcheting clip holds bundle securely in place.
- Good for high vibration applications. Once closed the clip will not open until tab is released.

MAXIMUM BUNDLE DIAMETER RANGE				PART NO.	DESCRIPTION	OVERALL HEIGHT		FOOTPRINT	
A						Natural	D *	B x C	
Minimum	Maximum							in.	mm.
in.	mm.	in.	mm.			in.	mm.		
<b>WCLP Series - Arrowhead Mount</b>									
.47	11,9	.55	14,0	<b>4335</b>	WCLP 562	1.17	29,8	.50 x 1.24	12,7 x 31,5
.58	14,7	.75	19,1	<b>4336</b>	WCLP 750	1.36	34,5	.50 x 1.48	12,7 x 37,6
<b>WCLA Series - Adhesive Mount**</b>									
.22	5,5	.26	6,5	<b>4323</b>	WCLA 258	.74	18,8	.65 x .85	16,5 x 21,6
.31	7,9	.41	10,3	<b>4324</b>	WCLA 406	.90	22,8	.75 x 1.00	19,1 x 25,4
.47	11,9	.56	14,3	<b>4325</b>	WCLA 562	1.12	28,5	.75 x 1.24	19,1 x 31,5
.58	14,7	.75	19,1	<b>4326</b>	WCLA 750	1.32	33,6	.75 x 1.50	19,1 x 38,1
.87	22,2	1.00	25,4	<b>4327</b>	WCLA 1000	1.78	45,3	1.00 x 1.97	25,4 x 50,1

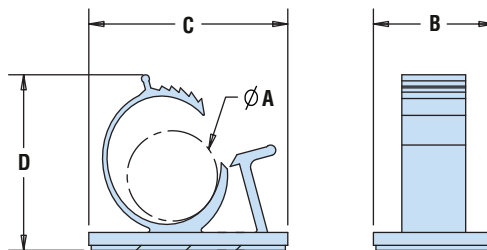
Standard color natural.

\* At maximum wire capacity.

\*\*Adhesive-Back is 1/16" (1,6 mm) thick.



WCLP Series



WCLA Series

Quick Specs

Material	Nylon 6/6
Flammability Rating	94V-2
Temperature Range	-40°F (-40°C) to 185°F (85°C)