



Heyco® Turn-2-Lock Cordset Contacts

For Finished, Custom Turn-2-Lock Cord and Plug Sets, see Section 9
15 Amp

- **Easy loading for increased molding efficiency.**
- Use inexpensive Heyco load pins (consult Heyco for details on our complete line of blades and pins).
- **Reduce PVC usage** and allow more cavities per mold.
- All Ground blades feature 90° leg for **twist-locking mechanism.**
- .056" gauge material, cut-out shapes and radius are all UL Specified.

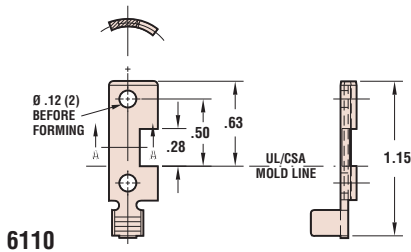
PART DATA			PART NO.	APPLICATION TOOLING*				
Type	AWG Range	Material		Die**	Feeds	Tool Packs	Crimp Punch	Anvil
Male - for snap together			Male Nylon Premold Bridges see page 8-20					
TL-L5-15-W&B†	18-14	Brass	6150	6150UXX5				
TL-L5-15-G	18-14	Brass	6152	6152UXX5				
TL-L5-15-W&B†	16-10	Brass	6110	6110UXX5	Bulk	B958/B959	C663	C667
		Tin-Pl	6111	6111UXX5				
		Post-Ni	6126	6126UXX5				
TL-L5-15-G	16-10	Brass	6112	6112UXX5				
		Tin-Pl	6113	6113UXX5				
		Post-Ni	6127	6127UXX5				
TL-L6-15-G	18-14	Brass	6164	6164UXX5				
	16-10	Brass	6134	6134UXX5				
TL-L7-15-G	18-14	Brass	6160	6160UXX5				
	16-10	Brass	6130	6130UXX5				

Female - for snap together			Female Nylon Premold Shells see page 8-20					
TLR-L5-15	16-10	Brass	7550	7550UXX5	Left to Right	B972L/B973L	C784	C783
TLR-L7-15	16-10	Brass	7551	7551UXX5	Left to Right	B972L/B973L	C784	C783

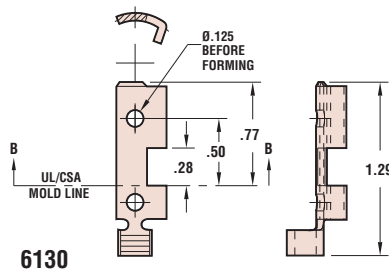
* Use the Heyco Universal Applicator Die (indicated by “U” in the Die Part No.), page 8-57.

** “XX” represents Wire Gauge. Please specify Wire Gauge when ordering.

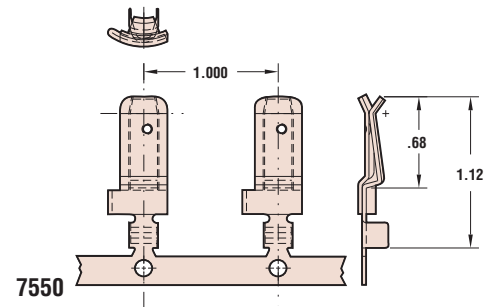
† Can be used for L6 and L7-15 configurations.



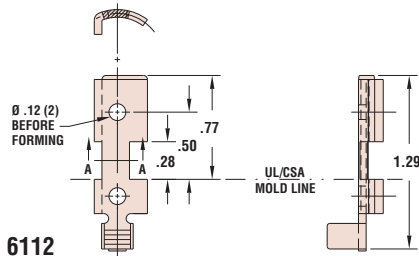
6110



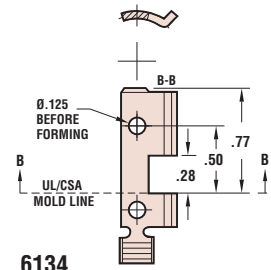
6130



7550



6112



6134

Quick Specs

Materials	Alloy 260 Brass (70% Cu, 30% Zn. Higher Cu content resists dezincification) Tin-Pl = Brass, Tin plated before or after stamping Post-Ni = Brass, Nickel plated after stamping
Certifications	6/6 Nylon Ⓛ Listed under UL File E217650 for use with Cordsets under UL 817 applications