



- Heyco’s Hospital Grade Line features **solid brass** and **soldered connections** for **increased** strain relief, reliability, and performance.

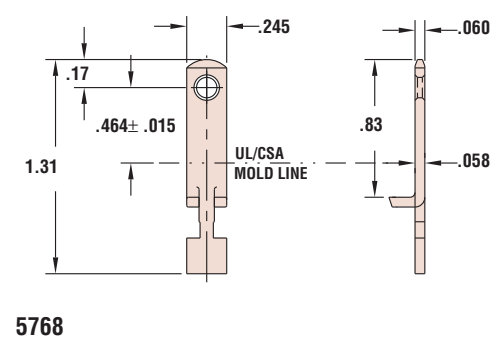
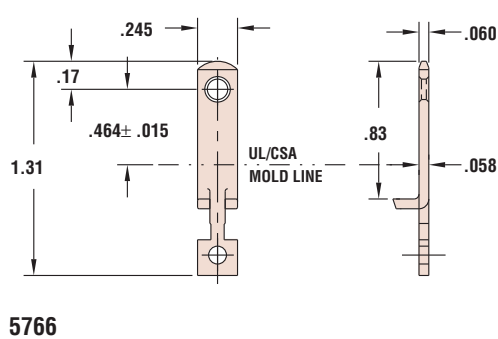
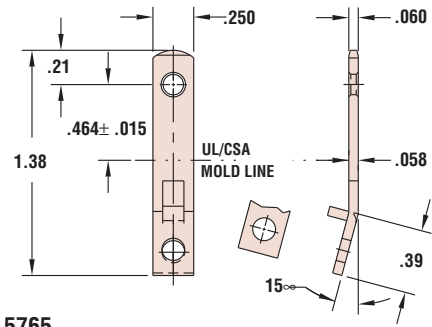
## Heyco® Hospital Grade Solid Male Blades

NEMA 1-15P & 5-15P – .058” Mold Line Thickness

Used in solder connected applications for “hospital grade” plugs at .057” (1,4 mm) solid brass

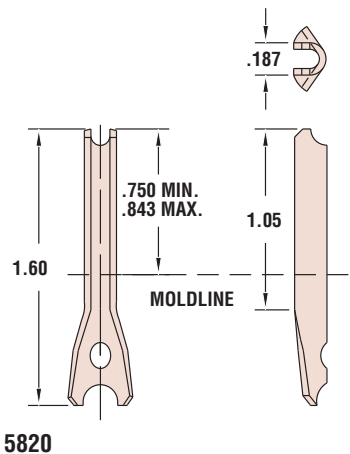
PART DATA				PART NO.		Feeds
Type	Overall Length in.	AWG Range	Material	Ref Drawing		
No Hole	1.31	Solder	Brass	5768	5768	Bulk
Flat	1.31	Solder	Brass Post-Ni	5766 5767	5766	
Angle	1.38	Solder	Brass Post-Ni	5765 5764	5765	

Post plated bright nickel finish available, consult Heyco.



## Heyco® Hospital Grade U-Shape Ground Pins

PART DATA				PART NO.		Feeds
Type	Overall Length in.	AWG Range	Material	Ref Drawing		
U	1.60	Solder	Brass Post-Ni	5820 5821	5820 5820	Bulk



**Materials** Alloy 260 Brass (70% Cu, 30% Zn. Higher Cu content resists dezincification)  
Post-Ni = Brass, Nickel plated after stamping