



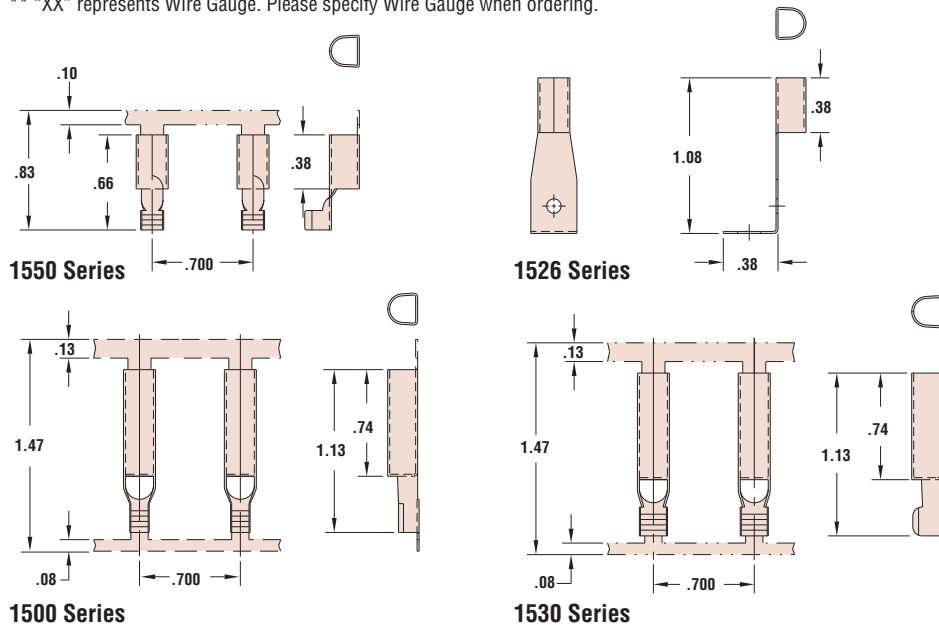
Heyco® .187" Diameter Ground Pins

Male Right Angle and Female

For Heyco Padded and Full Thickness Blades, see pages 8-35 thru 8-43

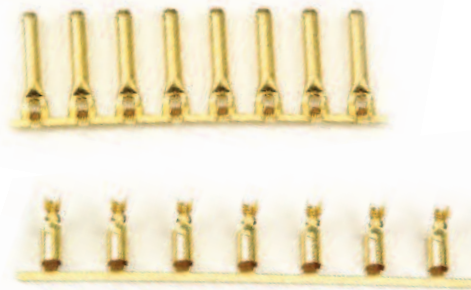
Overall Length in.	PART DATA		PART NO.	APPLICATION TOOLING*				
	AWG Range	Material		Die**	Feeds	Tool Packs	Crimp Punch	Anvil
Male Right Angle - 90° crimp section designed for Right Angle Plugs								
187 Series								
1.34	20-18	Brass	5913	5913SXX5	Rear	-	OJ48	OJ49
		Tin-Pl	5915	5915SXX5	Rear, L-R	-	-	-
16-12	16-12	Brass	5900	-	Rear	-	088A	097A
		Tin-Pl	5901	-	-	-	-	-
Female - with D-Shape Barrel designed for .187" (4,7 mm) O.D. mating Pin								
1550 Series								
.66	18-14	Brass	7344	7344UXX5	L to R	B592L/B593L	C484	C488
1500 Series								
1.13	18-16	Brass	7339	7339UXX5	Left to Right	B590L/B591L	-	-
		Tin-Pl	7340	7340UXX5	-	-	C388	C391
		Brass	7342	7342UXX5	R to L	B590R/B591R	-	-
1530 Series								
1.13	14-10	Brass	7341	7341UXX5	Left to Right	B590L/B591L	-	-
		Tin-Pl	7346	7346UXX5	-	-	C388	C391
		Brass	7343	7343UXX5	R to L	B590R/B591R	-	-
1526 Series								
1.08	-	Brass	7347	-	Bulk	-	-	-

* Heyco high volume Application Tooling, designed for 3-5 ton presses - see page 8-63.
 Heyco Mini Applicators, designed for 1.5-3 ton bench top presses, are available - see page 8-63.
 ** "XX" represents Wire Gauge. Please specify Wire Gauge when ordering.



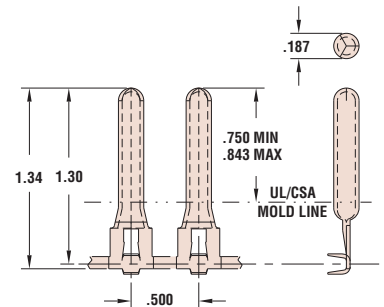
Materials

Alloy 260 Brass (70% Cu, 30% Zn. Higher Cu content resists dezincification)
 Tin-Pl = Brass, Tin plated before or after stamping

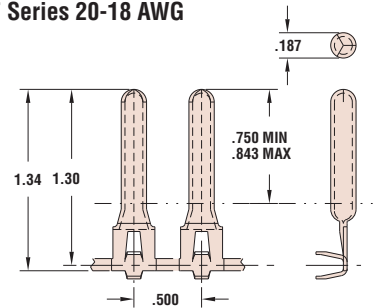


Male Right Angle Pins

- Differentiate by crimp size and thus accommodate AWG 20-18 conductors AWG 16-12 conductors.



187 Series 20-18 AWG



187 Series 16-12 AWG

Female Ground Pins

- 1550 Series have an offset “high” crimp.
- 1500 and 1530 Series crimps are standard or in line with the Pin section; they differentiate on crimp size only.
- 1526 Series parts are designed for circuit boards or “3 to 2” converters.
- D-shaped Barrel for more secure connection.

Quick Specs