



# Heyco® .187" Diameter Ground Pins— Male Right Angle

90° crimp section designed for Right Angle Plugs

See pages 8-29 thru 8-34 for Heyco Padded and Full Thickness Blades



Overall Length in.	PART DATA		PART NO.	APPLICATION TOOLING*				
	AWG Range	Material		Die**	Feeds	Tool Packs	Crimp Punch	Anvil
<b>187 Series</b>								
1.34	20-18	Brass Tin-Pl	<b>5913</b> <b>5915</b>	5913SXX5 5915SXX5	Rear Rear, L-R	-	0J48	0J49
	16-12	Brass Tin-Pl	<b>5900</b> <b>5901</b>	-	Rear	-	088A	097A
<b>Solid U Shape</b>								
.82	18-16	Brass	<b>8013</b>	-	Bulk			

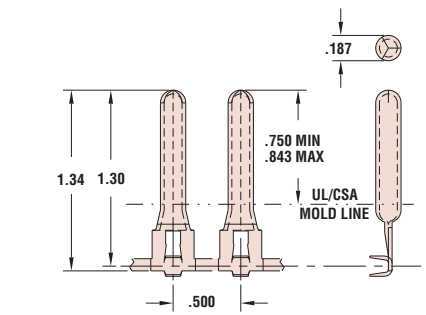
### Male Right Angle Pins - 187 Series

- Feature .187" (4,7 mm) Pin diameter.
- Parts differentiate by **flag type crimp** size and thus accommodate AWG 20-18 conductors and AWG 16-12 conductors.

### Male Right Angle Pin - Solid U Shape

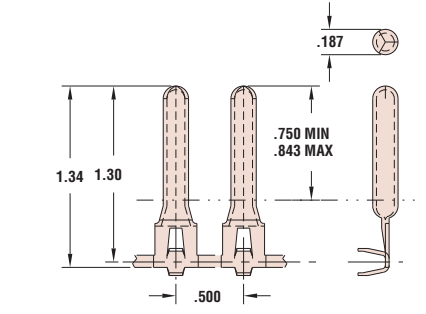
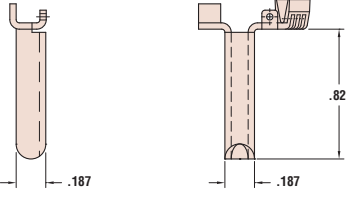
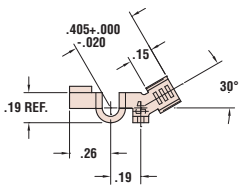
- Feature .187" (4,7 mm) Pin diameter.
- Shorter part, accommodates 18-16 AWG conductors.
- Available in bulk form only.

**NEW!**



187 Series 20-18 AWG

**8013**



187 Series 16-12 AWG

**Materials**

**Alloy 260 Brass** (70% Cu, 30% Zn. Higher Cu content resists dezincification)  
Tin-Pl = Brass, Tin plated before or after stamping

*Quick  
Specs*