



Heyco® Heavy Duty Ground Pins - Female

For Heavy Duty Blades, see pages 8-27 & 8-28

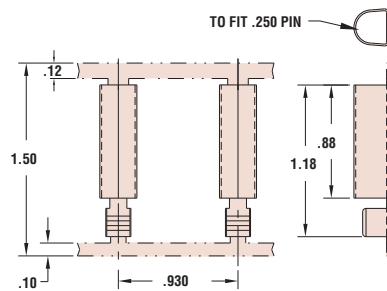


- Specify **D-shaped Barrel** parts for the most secure connection.

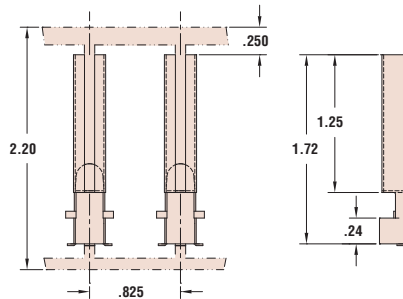
| Overall Length in. | PART DATA | | | PART NO. | APPLICATION TOOLING* | | | | |
|--|-----------|-----------|----------|-------------|----------------------|---------------|-------------|-------------|-------|
| | Shape | AWG Range | Material | | Die** | Feeds | Tool Packs | Crimp Punch | Anvil |
| 250 Series - designed to mate with .250" (6,4 mm) outside diameter Heavy Duty Male Pins | | | | | | | | | |
| 1.18 | D | 14-10 | Brass | 8243 | 8243UXX5 | Left to Right | B966L/B967L | C388 | C391 |
| 1.22 | O | 10-6 | Tin-Pl | 8246 | 8246UXX5 | Left to Right | B974L/B975L | | |
| 1.72 | O | 10-6 | Tin-Pl | 8245 | 8245UXX5 | Left to Right | B952L/B953L | C640 | C647 |
| | D | 10-6 | Brass | 8244 | 8244UXX5 | | | | |

* Use the Heyco Universal Applicator Die (indicated by "U" in the Die Part No.), page 8-57.

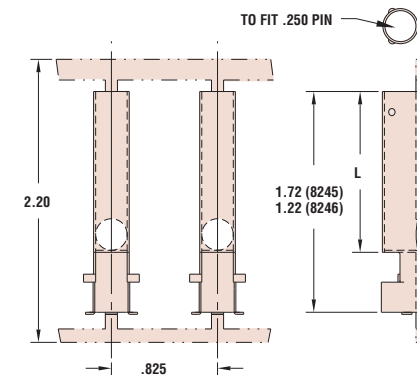
** "XX" represents Wire Gauge. Please specify Wire Gauge when ordering.



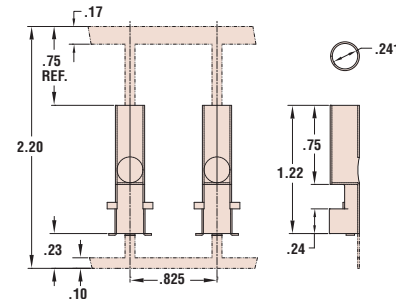
8243



8244



8245



8246

Materials

Alloy 260 Brass (70% Cu, 30% Zn. Higher Cu content resists dezincification)
 Tin-Pl = Brass, Tin plated before or after stamping
 Post-Ni = Brass, Nickel plated after stamping

Quick Specs