



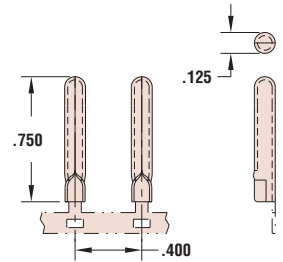
Now Available  
in Single Reel  
Order Quantities!

# Heyco® Male Pins

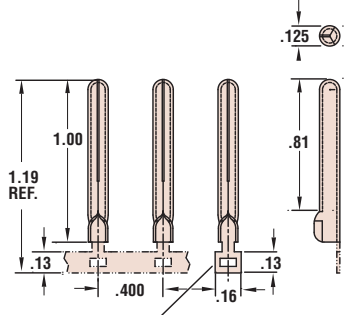
For mating Female Pin & Connectors, see pages 8-45 thru 8-47

Dia. in.	PART DATA			PART NO.	APPLICATION TOOLING*				
	Overall Length in.	AWG Range	Material		Die**	Feeds	Tool Packs	Crimp Punch	Anvil
<b>MP125 Series</b>									
.125	.63	20-18	Brass	<b>7062</b>	7062UXX5	Left to Right	B300L/B301L	C229	C231
	.75	20-18	Brass Tin-Pl	<b>7060</b> <b>7061</b>	7060UXX5 7061UXX5				
	1.00	20-18	Brass Tin-Pl	<b>7064</b> <b>7065</b>	7064UXX5 7065UXX5				
	.75	16-14	Brass Tin-Pl	<b>7068</b> <b>7069</b>	7068UXX5 7069UXX5	Left to Right	B304L/B305L	C230	C232
	1.00	16-14	Tin-Pl	<b>7073</b>	7073UXX5				
				Tin-Pl	<b>7076†</b>	7076UXX5			
<b>MP141 Series</b>									
.141	1.03	18-16	Brass	<b>7171</b>	7171UXX5	Left to Right	B340L/B341L	C135	C138
<b>MP156 Series</b>									
.156	1.03	18-16	Brass Tin-Pl	<b>7181</b> <b>7183</b>	7181UXX5 7183UXX5	Left to Right	B340L/B341L	C135	C138
	1.31	18-16	Brass	<b>7180</b>	7180UXX5				
<b>MP178 Series</b>									
.178	1.39	18-14	Brass	<b>7194</b>	7194UXX5	Right to Left	B360R/B361R	C001	C009
			Tin-Pl	<b>7195</b>	7195UXX5				
		12-10	Brass Tin-Pl	<b>7192</b> <b>7193</b>	7192UXX5 7193UXX5				

\* Heyco high volume Application Tooling, designed for 3-5 ton presses - see page 8-57.  
 Heyco Mini Applicators, designed for 1.5-3 ton bench top presses, are available - see page 8-57.  
 \*\* "XX" represents Wire Gauge. Please specify Wire Gauge when ordering.  
 † Split on seam: pin will flex closed when in contact for a stronger connection.

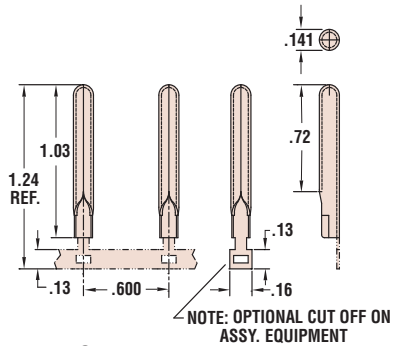


MP125 Series

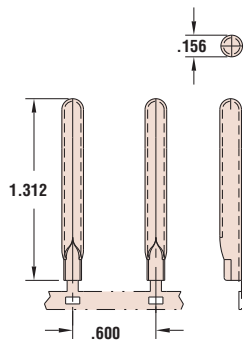


MP125 Series 7076

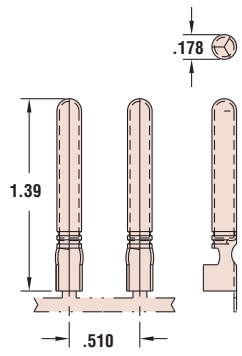
NOTE: OPTIONAL CUT OFF ON ASSY. EQUIPMENT



MP141 Series



MP156 Series



MP178 Series

**Materials** Alloy 260 Brass (70% Cu, 30% Zn. Higher Cu content resists dezincification)  
 Tin-Pl = Brass, Tin plated before or after stamping

Quick  
Specs