



Heyco® Multi-Connectors for Power Blocks

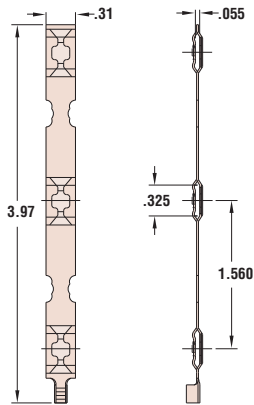
In-Line Power Block Females



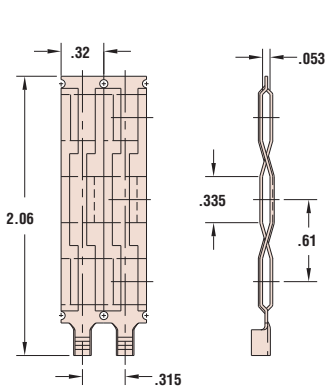
PART DATA			PART NO.	APPLICATION TOOLING*				
Type	AWG Range	Material		Die**	Feeds	Tool Packs	Crimp Punch	Anvil
Female Blade .045"	18-14	Brass	8079	-	Bulk	-	-	-
Female Blade .055"	18-14	Brass	8080					
Female Ground	18-14	Brass	8081					
(Short) Female Blade	18-14	Brass	8084	8084UXX5	Left to Right	B978L/B979L	C918, C919 & C920	C912
(Short) Female Ground	18-14	Brass	8085	8085UXX5	Left to Right	B980L/B981L	C926, C927 & C928	C923

* Use the Heyco Universal Applicator Die (indicated by "U" in the Die Part No.), page 8-57.

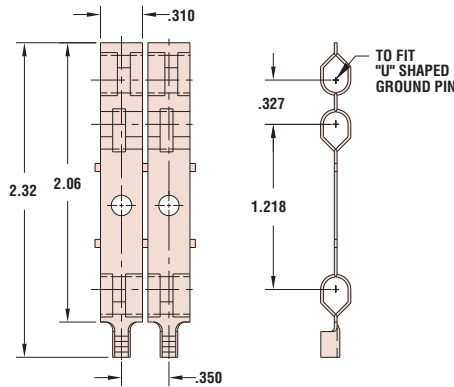
** "XX" represents Wire Gauge. Please specify Wire Gauge when ordering.



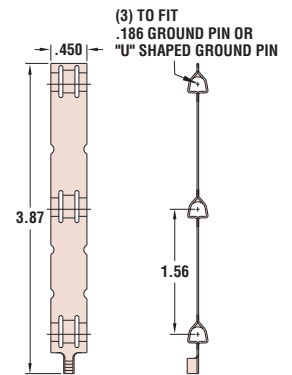
8080



8084



8085



8081

*Quick
Specs*

Material

Alloy 260 Brass (70% Cu, 30% Zn. Higher Cu content resists dezincification)