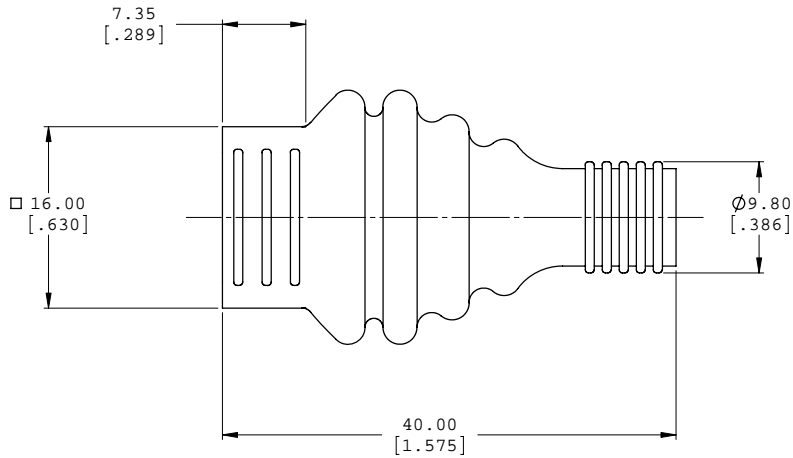
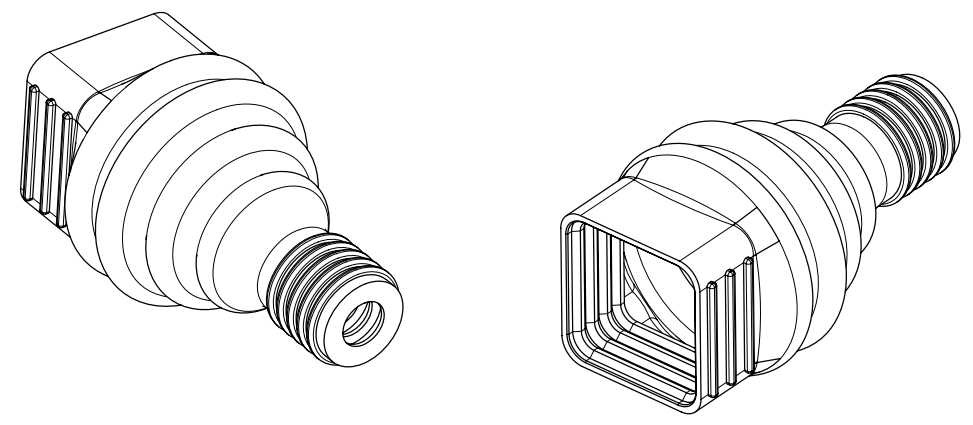
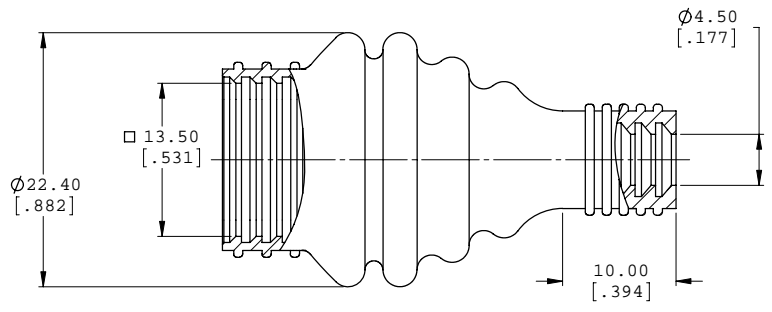


REVISIONS			
REV	ECN, ERN NO.	DATE	APPRD.
B	ECN ED8315	NOV20/07	KL



NOTES:

1. MATERIAL: CLEAR SILICONE RUBBER
2. OPERATING TEMPERATURE -40°C TO +150°C.
3. PARTS ROHS COMPLIANT PER EU DIRECTIVE 2002/95/EC AND AMENDMENTS.
4. PART SUPPLIED BULK PACKED.

AMPHENOL PART NUMBER MRJ-258E-11-BP



		UNLESS OTHERWISE SPECIFIED:	DATE	Amphenol Canada Corp.
		DIMENSIONS ARE IN MILLIMETERS	DRAWN A. DODDS JUN28/07	
		TOLERANCES	DESIGNED	TITLE
		FRACTIONAL	CHECKED KLAMBER NOV18/07	
		ANGULAR MATCH BEND ±	DATE APP'D	MRJ SERIES BOOT FOR RJ PLUG & CABLE RoHS COMPLIANT
		TWO PLACE DECIMAL ±	DATE APP'D	
		THREE PLACE DECIMAL ±	DATE APP'D	SIZE DWG. NO.
		MATERIAL	DATE APP'D	
		INTERFERENCE MATE	ENG. DES. NO. EAR E13132	CP-MRJ-258E-11-BP
		TOLERANCE PER	REV	
		ASSEMBLY	DWG. APP'D	SCALE 3:1
		DATE	DATE	
		DATE	DATE	WEIGHT
		DATE	DATE	
		DATE	DATE	SHEET 1 OF 1
		DATE	DATE	

DO NOT SCALE DRAWING
THIS DOCUMENT CONTAINS PROPRIETARY INFORMATION AND SUCH INFORMATION MAY NOT BE DISCLOSED TO OTHERS FOR ANY PURPOSE OR USED FOR MANUFACTURING PURPOSES WITHOUT PERMISSION FROM AMPHENOL CANADA CORP.

PROPRIETARY AND CONFIDENTIAL
THIS DOCUMENT CONTAINS PROPRIETARY INFORMATION AND SUCH INFORMATION MAY NOT BE DISCLOSED TO OTHERS FOR ANY PURPOSE OR USED FOR MANUFACTURING PURPOSES WITHOUT PERMISSION FROM AMPHENOL CANADA CORP.