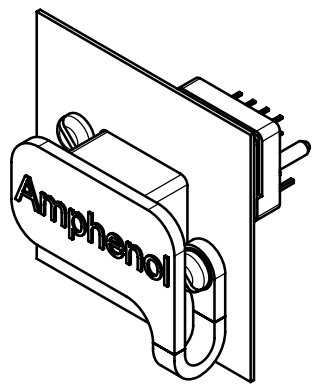
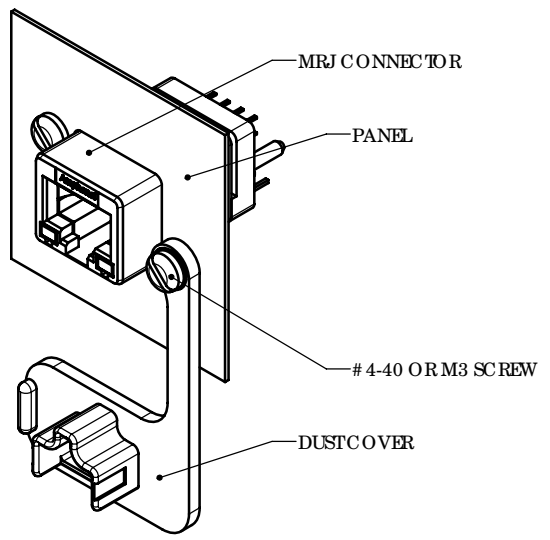
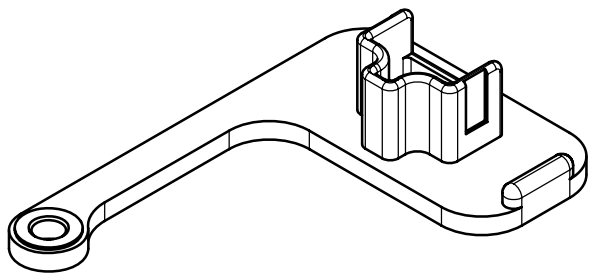
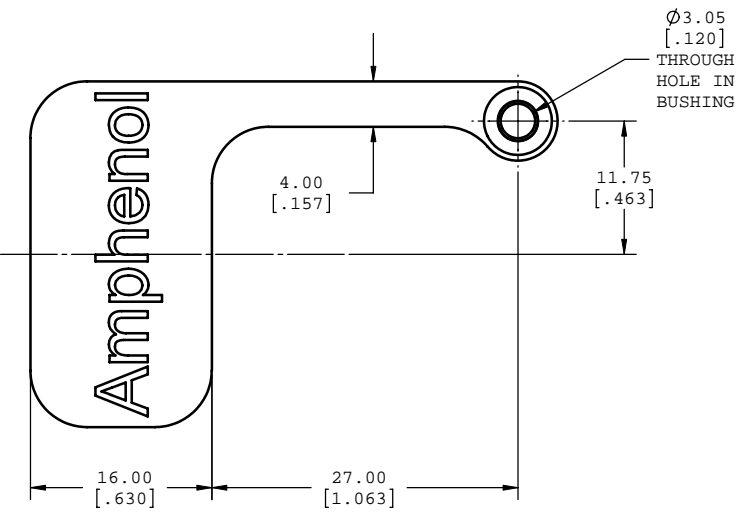
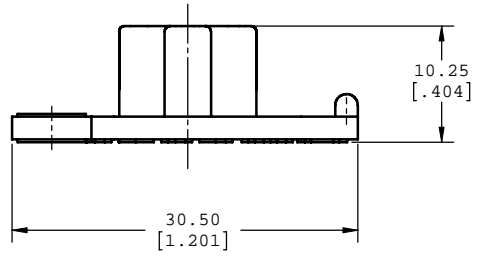
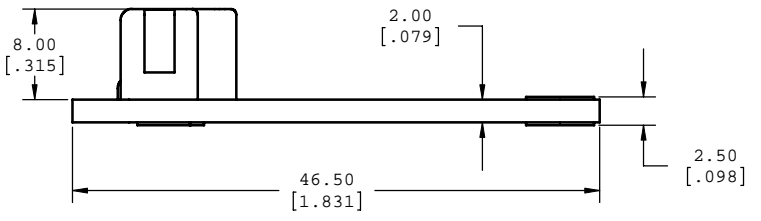


| REVISIONS | | | |
|-----------|-------------------------------|----------|--------|
| REV | ECN, ERN NO. | DATE | APPRD. |
| A | PRODUCT DRAWING | JUN28/07 | KL |
| B | ADD MRJ-2586-20BP (EAR 13215) | FEB07/08 | KL |



| AMPHENOL PART NUMBER | COVER COLOR |
|----------------------|-------------|
| MRJ-2586-10BP | GREY |
| MRJ-2586-20BP | BLACK |

NOTES:

- MATERIAL:
 - DUST COVER - SILICONE RUBBER, COLOR - SEE CHART.
 - BUSHING - BRASS, NICKEL PLATED.
- OPERATING TEMPERATURE: -40°C TO +105°C.
- PART IS ROHS COMPLIANT PER EU DIRECTIVE 2002/95/EC AND AMENDMENTS.
- PART SUPPLIED BULK PACKED.

**TYPICAL APPLICATION MRJ CONNECTOR WITH DUST COVER
SCALE 2:1**

DO NOT SCALE DRAWING
THIS DOCUMENT CONTAINS PROPRIETARY INFORMATION AND SUCH INFORMATION MAY NOT BE DISCLOSED TO OTHERS FOR ANY PURPOSE OR USED FOR MANUFACTURING PURPOSES WITHOUT PERMISSION FROM AMPHENOL CANADA CORP.

PROPRIETARY AND CONFIDENTIAL
THIS DOCUMENT CONTAINS PROPRIETARY INFORMATION AND SUCH INFORMATION MAY NOT BE DISCLOSED TO OTHERS FOR ANY PURPOSE OR USED FOR MANUFACTURING PURPOSES WITHOUT PERMISSION FROM AMPHENOL CANADA CORP.

| | | | |
|--|----------------------|--------------------------|---|
| UNLESS OTHERWISE SPECIFIED: | | DATE | Amphenol Canada Corp. |
| DIMENSIONS ARE IN MILLIMETERS | DRAWN | A. DODDS JUN28/07 | |
| FRACTIONS USE ANGULAR MACHINE BEND ± TWO PLACES DECIMAL ± THREE PLACES DECIMAL ± | DESIGNED | KLAMBER JUN28/07 | TITLE MRJ SERIES DUST COVER FOR RECEPTACLE CONNECTOR, INTERNAL STYLE, ROHS COMPLIANT |
| INTERPRET TO MEANS: DIMENSIONS ARE IN MILLIMETERS | Q. A. APP'D | | |
| NEXT ASSY | USED ON | ING. REF. NO. EAR E13132 | SIZE DWG. NO. |
| APPLICATION | DO NOT SCALE DRAWING | CODED. NO. | CP-MRJ-2586-X0BP |
| | | | REV B |
| | | | SCALE 3:1 |
| | | | WEIGHT |
| | | | SHEET 1 OF 1 |