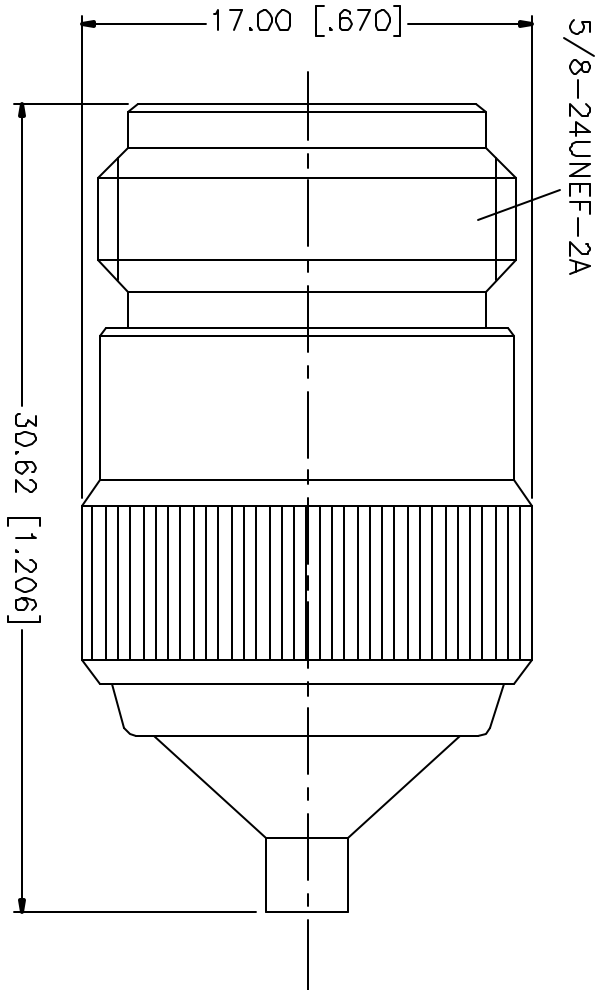


REV.	DATE	DESCRIPTION
NC	10/31/01	INITIAL RELEASE



DESCRIPTION	MATERIAL	FINISH	UNLESS OTHERWISE SPECIFIED DIMENSIONS ARE IN MILLIMETERS DIMENSIONS IN [] ARE IN INCHES FOR CUSTOMER REFERENCE ONLY	APPROVALS	DATE	TITLE	SIZE	FROM NO.	DWG. NO.	REV.	
1 BODY	BRASS	NICKEL		DRAWN	10/31/01	comnex Connector Corporation N JACK TO MCX JACK ADAPTOR	A	99001	242172.DWG	NC	
2 INSULATOR	TEFLON	NATURAL		CHECKED			NA	242172			
3 CONTACT PIN	BER. COPPER	GOLD		ISSUED							
4											
5											
6											
7											
8											

UNLESS OTHERWISE SPECIFIED DIMENSIONS ARE IN MILLIMETERS DIMENSIONS IN [] ARE IN INCHES FOR CUSTOMER REFERENCE ONLY

UNLESS OTHERWISE SPECIFIED TOLERANCES FOR MILLIMETERS ARE:

0.5-6 = ± 0.2
 6-30 = ± 0.4
 30-120 = ± 0.6
 120-315 = ± 1
 315-1000 = ± 1.6
 1000-2000 = ± 2.4

DO NOT SCALE DRAWING