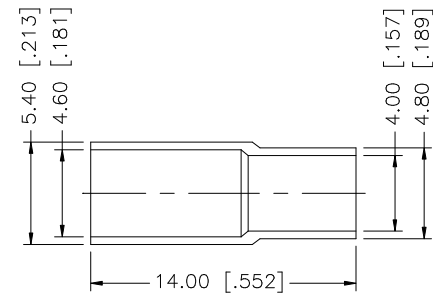
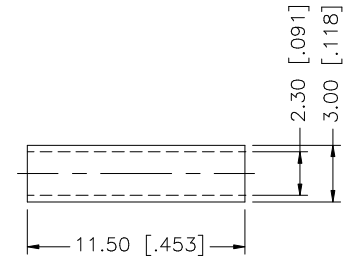
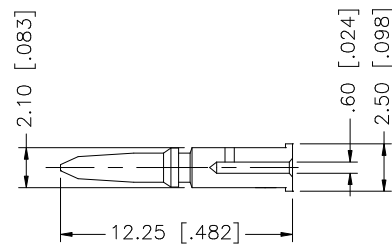
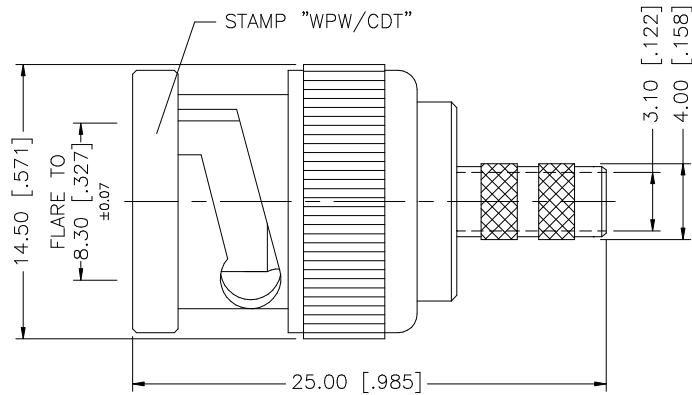
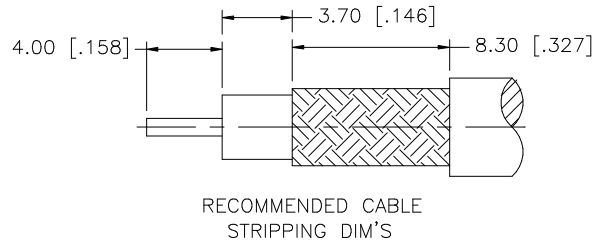


REV.	DATE	DESCRIPTION
NC	05/22/03	INITIAL RELEASE
A	10/24/06	ADD "50ohm" TO DESCRIPTION



CRIMP NOTES:

1. CRIMPED FERRULE
HEX CRIMP SIZE .187"
2. CRIMPED CONTACT PIN
HEX CRIMP SIZE .068"

DESCRIPTION	MATERIAL	FINISH	QTY
8			
7			
6	FERRULE	COPPER	NICKEL 1
5	SLEEVE	DELRIN	NATURAL 1
4	GASKET	RUBBER	RED 1
3	INSULATOR	DELRIN	NATURAL 1
2	CONTACT PIN	BRASS	GOLD 1
1	SHELL/BODY	BRASS	NICKEL 1

UNLESS OTHERWISE SPECIFIED DIMENSIONS ARE IN MILLIMETERS, DIMENSIONS IN [] ARE IN INCHES AND FOR CUSTOMER REFERENCE ONLY.

UNLESS OTHERWISE SPECIFIED TOLERANCES FOR MILLIMETERS ARE:
0.5 - 8mm ± 0.20mm
8 - 30mm ± 0.40mm
30 - 120mm ± 0.50mm

UNLESS OTHERWISE SPECIFIED TOLERANCES FOR INCHES ARE:
.020 - .315 = ± 0.007"
.315 - 1.180 = ± 0.015"
1.180 - 4.724 = ± 0.020"

DO NOT SCALE DRAWING

APPROVALS	DATE
DRAWN G.R.S.	10/24/06
CHECKED	
ISSUED	
SHEET 1 OF 1	
CAD FILE C:/112/112537.DWG	

<h1>Amphenol Connex</h1>			
PART DESCRIPTION BNC CRIMP PLUG - 50ohm (WEST PENN MINI MAX 500 CABLE)			
PART NO. 112537			
DWG. NO.	112537.DWG	REV.	A
SIZE	A	SCALE	NA