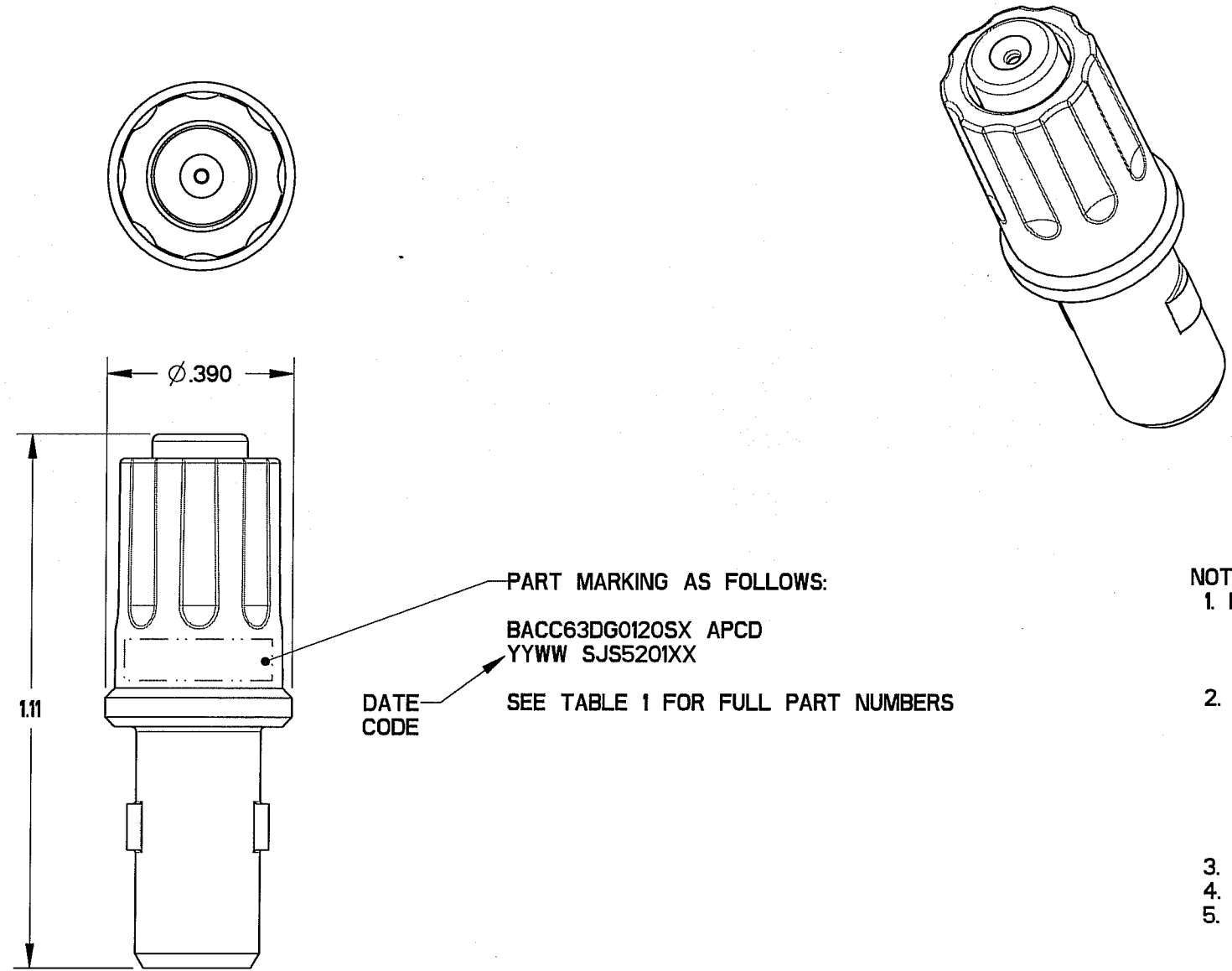


REV	ECN	APP'D
-	5663	J. TON
A	5706	J. TON
B	5720	J. TON
C	5796	J. TON
D	6102	<i>JT 8/14/07</i>



PART MARKING AS FOLLOWS:  
 BACC63DG0120SX APCD  
 YYWW SJS5201XX  
 DATE CODE  
 SEE TABLE 1 FOR FULL PART NUMBERS

- NOTES:
- MATERIALS:  
 HOUSING: PA 6/6  
 CONTACT RETAINER: STAINLESS STEEL  
 GROMMET: SILICONE RUBBER PER A-A-59588
  - OPERATING RANGE:  
 TEMPERATURE: -55 °C TO 95 °C  
 INSULATION RESISTANCE: 5000 MEGOHMS MINIMUM  
 DIELECTRIC WITHSTANDING VOLTAGE: 1500 VRMS SEA LEVEL  
 600 VRMS @45,000 FT. ALTITUDE  
 CURRENT RATING: 7.5 AMPS  
 VIBRATION: PER EIA-364-D METHOD 28
  - ACCEPTS (1) M39029/56-351 SOCKET CONTACT (NOT INCLUDED)
  - CONTACT RETENTION - MUST LOCK 25 LBS
  - LOCKING FEATURE - NO BREAK 25 LBS

TABLE 1 - PART NUMBER SCHEME

APCD PART#	BACC PART#	COLOR
SJS520100	BACC63DG0120SG	GREEN
SJS520110	BACC63DG0120SY	YELLOW

DIMENSIONS ANSI Y14.5M UNITS: INCHES Pro/E FILE	TOLERANCES .XX ±0.01 .XXX ±0.005 ANGLES ±1.0°	PROJECTION 	<b>Amphenol Pcd</b> SPECIFICATION DRAWING			TITLE IN-LINE JUNCTION SINGLE WIRE, SIZE 20 PLUG		
			ENGR S. STONE 10/19/05	CHKD <i>Chyd 8/16/07</i>		SIZE <b>B</b>	DWG NO. <b>SJS520100</b>	REV <b>D</b>
ORIGINAL 	THIS DOCUMENT CONTAINS PROPRIETARY INFORMATION WHICH IS THE CONFIDENTIAL PROPERTY OF AMPHENOL PCD, BEVERLY, MA		APPD <i>J. TON 8/14/07</i>	CODE: 58982	SCALE: 3:1	SHEET 1 OF 1		

SJS520100

SJS520100