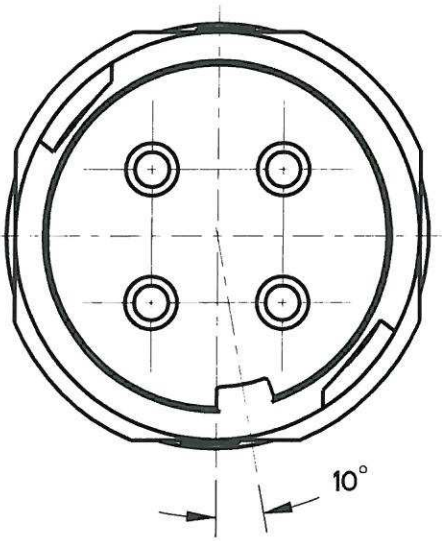
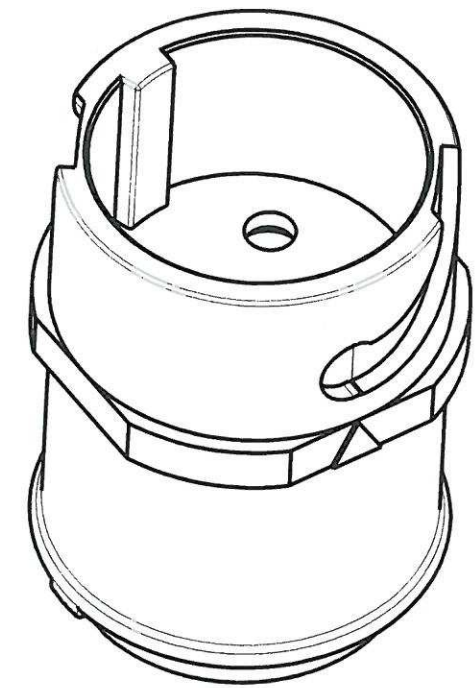
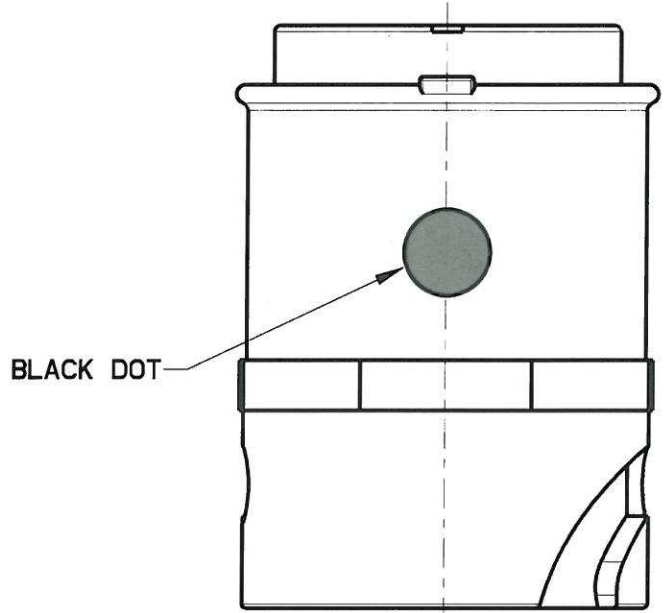
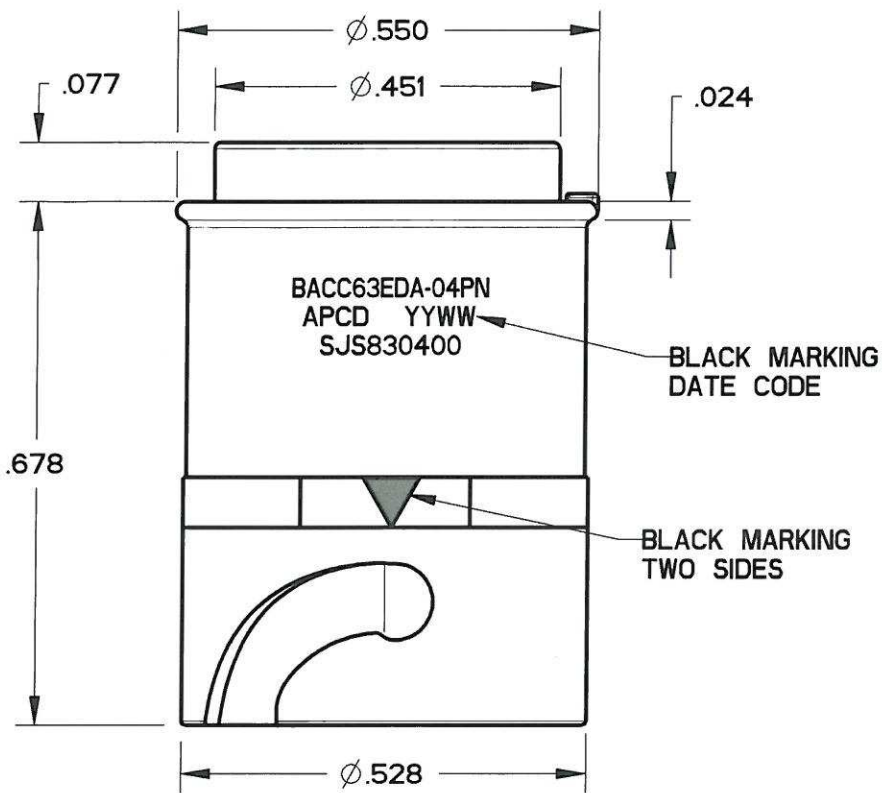
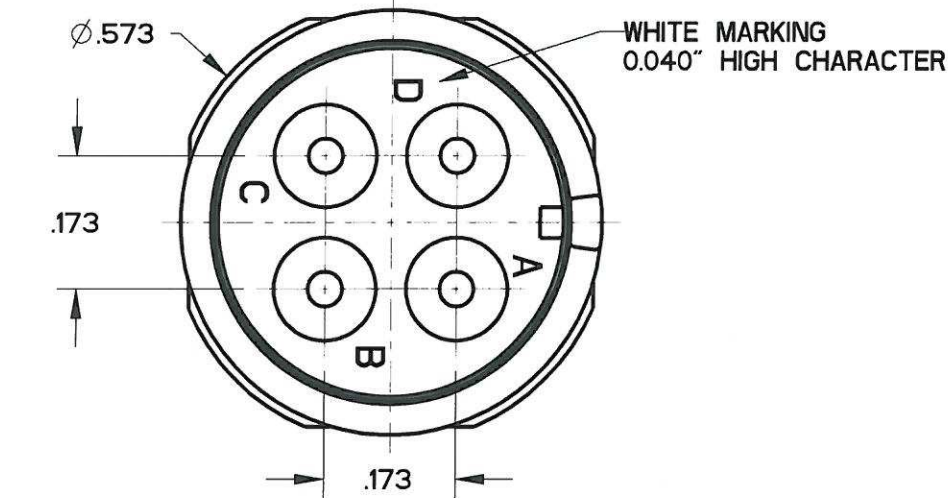


REV	ECN	APP'D
A	6351	JT 09/11/09
B	6473	JT 2/8/10
C	6573	JT 8/30/10



- NOTES:
- MATERIALS:
HOUSING: PA6/6
CONTACT RETAINER: STAINLESS STEEL
GROMMET: SILICONE RUBBER PER A-A-59588
 - MATING CONTACTS: SEE TABLE I
 - TEST SPECIFICATION: BACC63ED
 - PART MATES WITH SJS830410
 - WEIGHT: 1.9 GRAMS
 - SUPPLIED WITH DUST CAP

TABLE I

APCD P/N	BOEING P/N	P/N MARKING(S)	CONTACTS SUPPLIED
SJS830400	BACC63EDA-04PNH	BACC63EDA-04PN	NONE
SJS830401	BACC63EDA-04PN	SJS830400	(4) M39029/58-364

DIMENSIONS ANSI Y14.5M UNITS: INCHES Pro/E FILE	TOLERANCES .XX ±0.01 .XXX ±0.005 ANGLES ±1.0°	PROJECTION 	Amphenol Pcd SPECIFICATION DRAWING		TITLE BACC63EDA-04PN 4P SZ16 INLINE WHITE RECEPTACLE FOR SJS		
			ENGR Frank.Li 15-Mar-09		SIZE	DWG NO.	REV
ORIGINAL	THIS DOCUMENT CONTAINS PROPRIETARY INFORMATION WHICH IS THE CONFIDENTIAL PROPERTY OF AMPHENOL PCD INC., BEVERLY, MA	CHKD	8/30/10		B	SJS830400_CE	C
		APPD	8/30/10		CODE: 58982	SCALE: 4:1	SHEET 1 OF 1

SJS830400

SJS830400