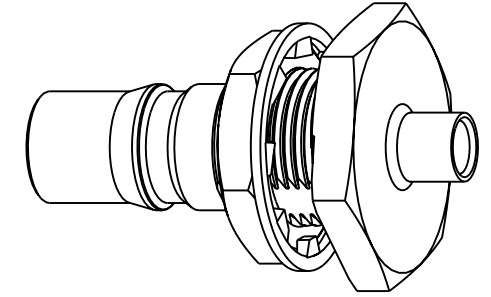


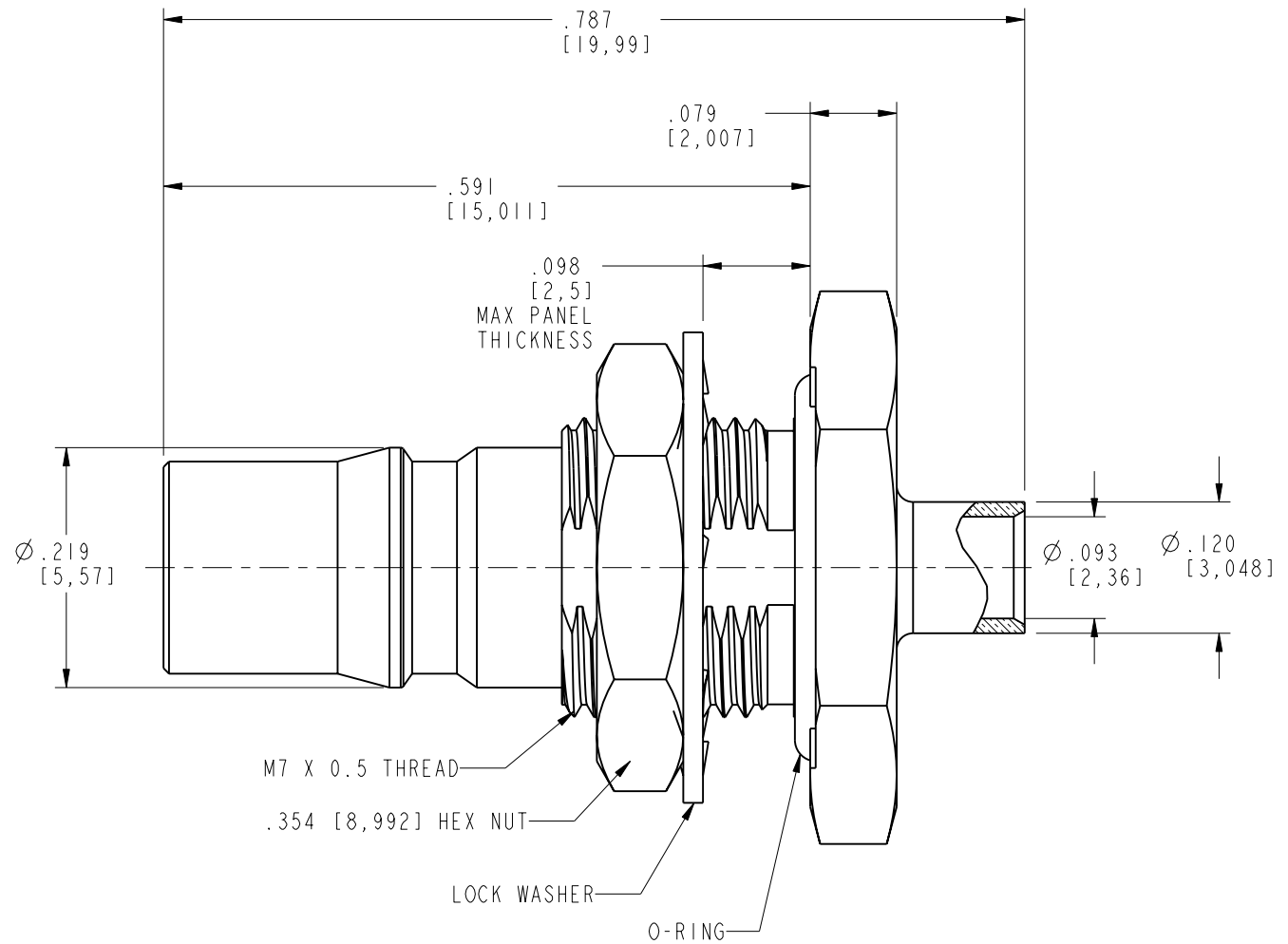
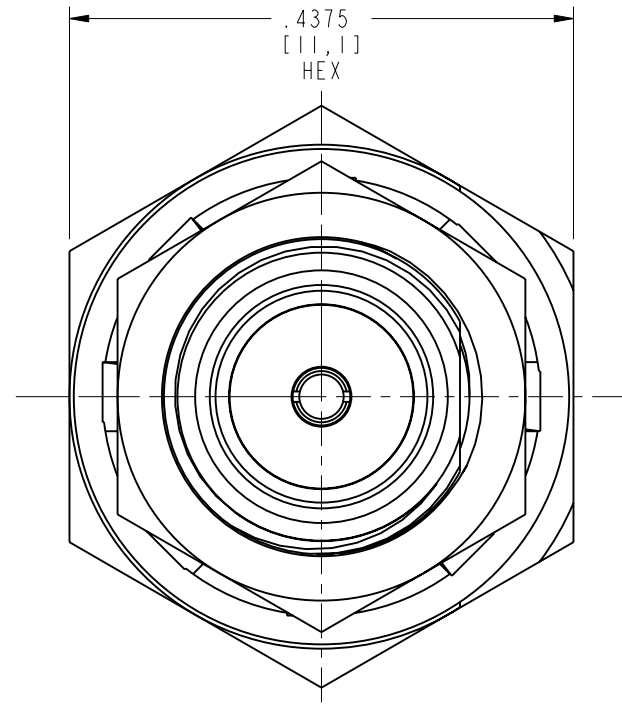
NOTES:

1. MATERIALS AND FINISHES:
 BODY - BTASS, GOLD PLATING (.000030 MIN THICK)
 CONTACT - BERYLLIUM COPPER, GOLD PLATING (.000030 MIN THICK)
 INSULATOR - PTFE
 HEX NUT - BRASS, GOLD PLATING (.000010 MIN THICK)
 LOCK WASHER - PHOSPHOR BRONZE, GOLD PLATING (.000010 MIN THICK)
 O-RING: SILICONE RUBBER
2. ELECTRICAL:
 A. IMPEDANCE: 50 OHM
 B. FREQUENCY RANGE: DC - 11 GHz
 C. VSWR(RETURN LOSS): 1.22 (20 dB) MAX 0-6 GHz
 1.29 (18 dB) MAX 6-11 GHz
 D. DIELECTRIC WITHSTANDING VOLTAGE: 1000 VRMS, MIN.
3. MECHANICAL:
 A. DURABILITY: 100 CYCLES MIN.
 B. TEMPERATURE RANGE: -40° C TO +85° C
4. PACKAGING:
 A. QUANTITY: SINGLE PACK
 B. MARKING: BAG TO BE MARKED
 "AMPHENOL, 930-121J-51S, AND DATE CODE"
5. ASSEMBLE CONNECTOR TO CABLE PER 349-50723

930-121J-51S		REVISIONS			
DRAWING NO.	REV	DESCRIPTION	DATE	ECO	APPR
THIRD ANGLE PROJ.	A	RELEASE TO MFG.	9/21/04	45162	MAH



SCALE 3.000



CUSTOMER OUTLINE DRAWING
 ALL OTHER SHEETS ARE FOR INTERNAL USE ONLY

UNLESS OTHERWISE SPECIFIED, DIMENSIONS ARE IN INCHES AND TOLERANCES ARE: 2 PLACE DECIMAL 3 PLACE DECIMAL ANGLES ±.015 (0,381 mm) ±.005 (0,127 mm) ± 1°	MATERIAL	DRAWN M. HOYACK	DATE 17-Sep-04	TITLE QMA JACK BULKHEAD TO RG-405/ SR .086 CABLE		Amphenol RF Danbury, CT, USA Tainan, Taiwan Shenzhen, China www.amphenolrf.com	
	REFERENCE EAR# 1179 GEN# ASSYF7_QMA 615X-2041-100	ENGINEER M. HOYACK	DATE 12-May-04				
NOTICE - These drawings, specifications, or other data (1) are, and remain the property of Amphenol Corp. (2) must be returned upon request; and (3) are confidential and not to be disclosed to any person other than those to whom they are given by Amphenol Corp. The furnishing of these drawings, specifications, or other data by Amphenol Corp., or to any other person to anyone for any purpose is not to be regarded by implication or otherwise in any manner licensing, granting rights or permitting such holder or any other person to manufacture, use or sell any product, process or design, patented or otherwise, that may in any way be related to or disclosed by said drawings, specifications, or other data.	CAD FILE I:\QMA\930-121J-51S		CODE ID 74868	DWG SIZE B	DRAWING NO. 930-121J-51S	SCALE: 6.0:1	SHEET 2 OF 2