

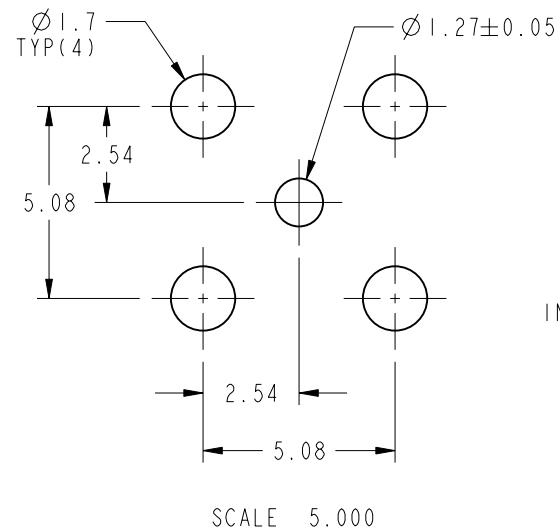
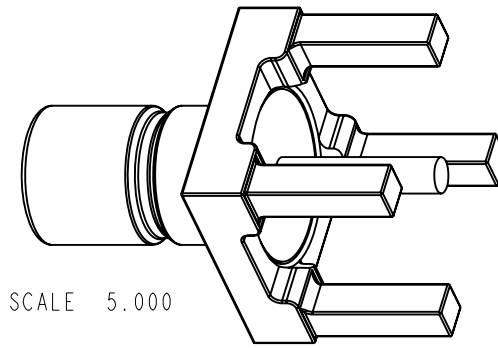
NOTES:

1. MATERIALS AND FINISHES(PLATING THICKNESS IN MICRO-INCHES):
 BODY - ZINC DIECASTING, GOLD PLATING
 CONTACT - BRASS, GOLD PLATING
 INSULATOR - PTFE, NATURAL
2. ELECTRICAL:
 A. IMPEDANCE: 50 OHM
 B. FREQUENCY RANGE: DC - 4 GHz
 C. DIELECTRIC WITHSTANDING VOLTAGE: 1000 VRMS, MIN.
3. MECHANICAL:
 A. DURABILITY: 500 CYCLES MIN.
 B. TEMPERATURE RANGE: -65° C TO +165° C
4. PACKAGING:
 A. QUANTITY: SINGLE PACK
 B. MARKING: BAG TO BE MARKED
 "AMPHENOL, 903-499J-51P2, AND DATE CODE"

THIRD ANGLE PROJ.

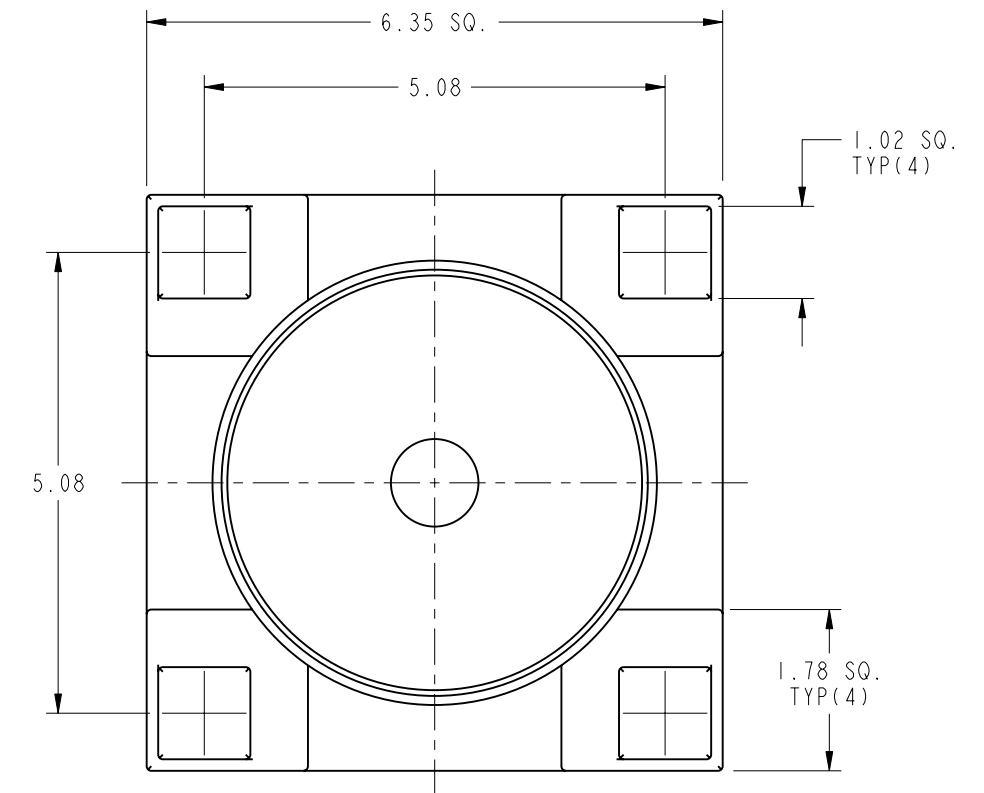
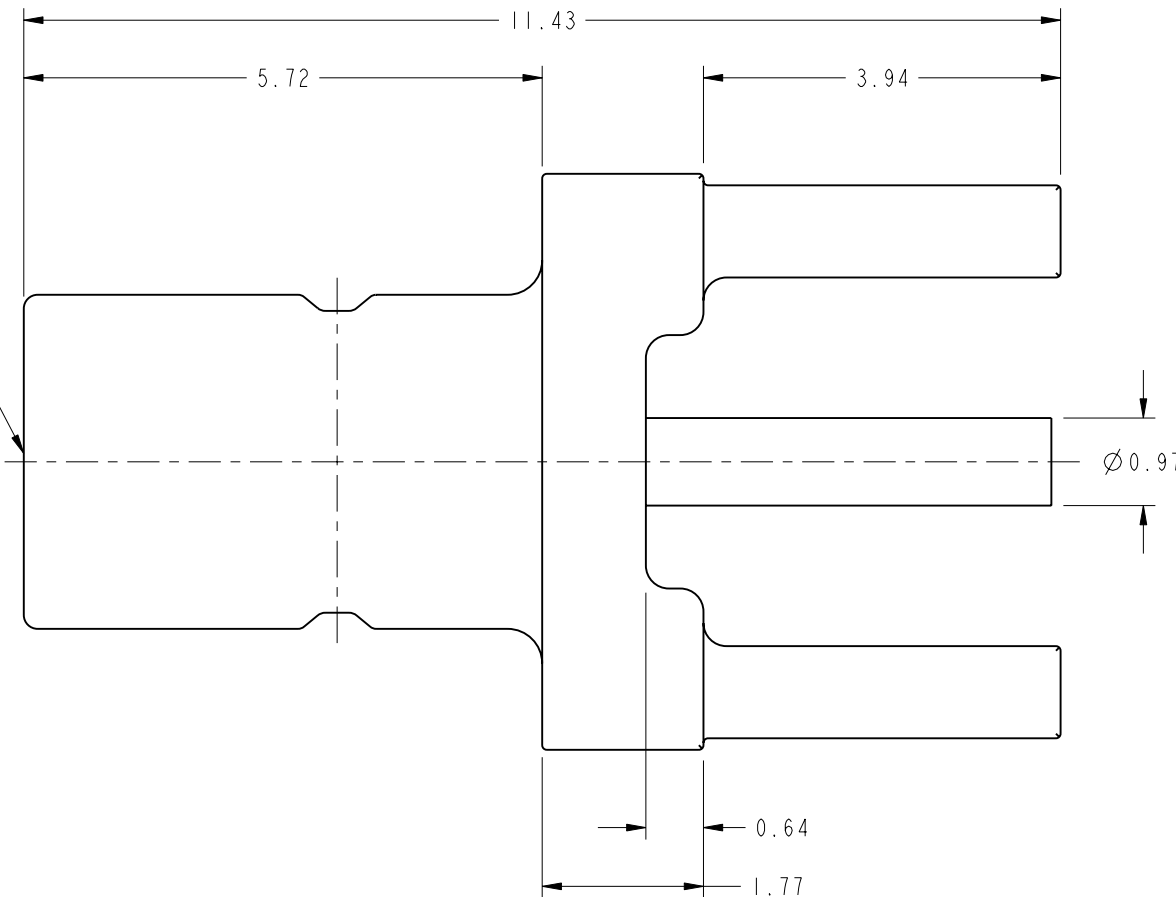
REVISIONS

| REV | DESCRIPTION | DATE | ECO | APPR |
|-----|---------------------------------|-----------|-------|------|
| A | RELEASE TO MFG. | 15-Mar-95 | 40544 | PB |
| E | SYNC THE DRAWING\RD-DM11031501I | 24-Mar-11 | 48494 | SH |
| F | ADD ASSEMBLE STANDARD | 29-Oct-12 | 49272 | SH |



RECOMMENDED MOUNTING HOLE DIMENSIONS

INTERFACE PER MIL-STD-348 SMB SERIES



CUSTOMER OUTLINE DRAWING
 ALL OTHER SHEETS ARE FOR INTERNAL USE ONLY

UNLESS OTHERWISE SPECIFIED, DIMENSIONS ARE IN METRIC AND TOLERANCES ARE:
 <0.5mm ±0.05mm 0.5 - 6mm ±0.1mm 6 - 30mm ±0.2mm 30 - 120mm ±0.3mm ANGLES ±1°

NOTICE - These drawings, specifications, or other data (1) are, and remain the property of Amphenol corp. (2) must be returned upon request; and (3) are confidential and not to be disclosed to any person other than those to whom they are given by Amphenol Corp. the finishing of these drawings, specifications, or other data by Amphenol Corp., or to any other person to anyone for any purpose is not to be regarded by implication or otherwise in any manner licensing, granting rights to permitting such holder or any other person to manufacture, use or sell any product, process or design, patented or otherwise, that may in any way be related to or disclosed by said drawings, specifications, or other data.

| | | | | |
|--|------------------------|-------------------|--------------------------------|-----------------------------------|
| MATERIAL | DRAWN F. WANG | DATE 29-Oct-12 | TITLE SMB JACK PC MOUNT | Amphenol RF www.amphenolrf.com |
| | ENGINEER R. VACCARO | DATE 15-Mar-95 | | |
| REFERENCE EAR 111-964037 5 615X-1359-100 CONFIGURATION LEVEL: | APPROVED S. HSIEH | DATE 24-Mar-11 | SCALE: 12.0:1.0 SHEET 2 OF 2 | DRAWING NO. 903-499J-51P2 |
| | FINISH | CAD FILE | DWG SIZE B | REV F |
| | | | | ITEM NO. 903-499J-51P2 |
| | | | | PART NO. 903-499J-51P2 |